

Ergo-Boost

Touchscreen Monitor Stand



Ergo-Boost

Touchscreen Monitor Stand

**Flexible,
robust,
simple.**

The Ergo-Boost Touchscreen Monitor Stand is a perfect ergonomic solution for anyone using a touchscreen monitor. You can tilt and rotate the screen to customised positions to suit different tasks, including drawing, illustrating and reading.



Why choose Ergo-Boost Touchscreen Monitor Stand?

Stable

It uses an adjustable gas spring mechanism, allowing monitors to be positioned with ease and held in place.

Future-proof

The stand can hold touchscreen monitors up to 32" and weighing between 2 – 10kg. This means it can continue to support your needs, should your monitors change in the future.

Portable

The freestanding design means that you can easily transport the touchscreen monitor stand if you work from more than one location.

Flexible

The stand offers a wide range of movement so that users can change the position of their touchscreen to suit each task. This includes swivel, rotation, tilt and height adjustment features.

Peace of mind

5 years warranty, for peace of mind.



Ergo-Boost

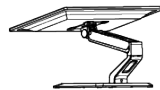
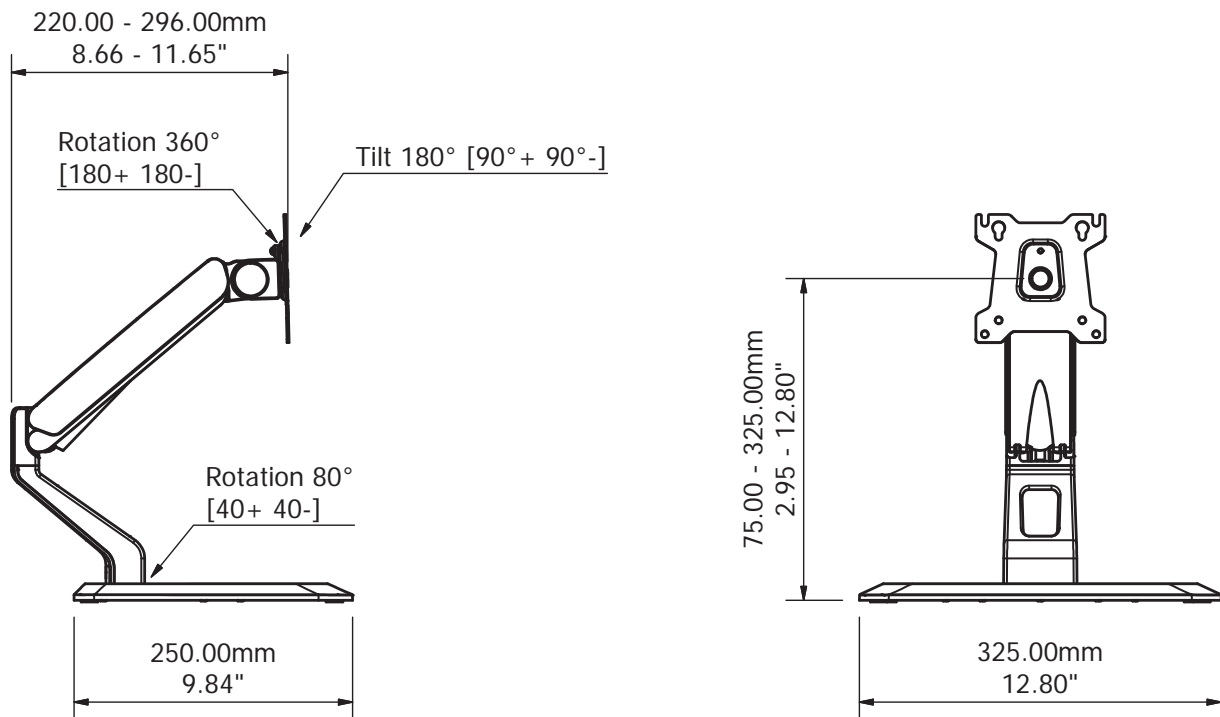
Touchscreen Monitor Stand

- 1 VESA mount
- 2 Height adjustable
- 3 Wide range of tilt
- 4 Swivel base
- 5 Screen rotation
- 6 Gas spring mechanism counterbalances the weight of your monitor



Ergo-Boost

Touchscreen Monitor Stand



Monitor arm	Weight range	Maximum vertical reach	Maximum horizontal reach	Rotation	Tilt	Swivel range
GAT01-DB-BK	2 – 10kg	325mm	296mm	180° +/- 180° -	90° +/- 90° -	40° +/- 40° -

Colours available:	Construction
Matt Black	Aluminium, Plastic and Steel



Create workspaces that work.



Solutions to build modern commercial spaces more quickly and efficiently.



Unlock workspace potential.



Ergonomic consultancy and software to improve employee health and productivity.

www.adapt-global.com

