

# Ergo-Boost

## Sit-Stand Desk

### Activate your workspace

Standing desks let you alternate your working position between sitting and standing with ease, helping to avoid health issues caused by prolonged sitting.

Turn any workspace into a healthy and active sit-stand environment with the Ergo-Boost height adjustable desk. It combines style and quality at an affordable price.

The Ergo-Boost Sit-Stand Desk is available in a choice of widths, with options to suit compact workspaces or larger work environments. Its intuitive design means it's quick and easy to assemble and adjust.





## Why choose the Ergo-Boost Sit-Stand Desk?

### Adaptable design

Suits compact spaces, home offices or larger work environments. Standard worktops range from 1200mm – 1800mm.

### Easy to adjust

Use the simple up/down button to smoothly adjust the worktop height. The memory function stores up to four favourite positions.

### Sturdy and robust

Slip resistant base prevents movement and sliding while working.

### Personalised experience

The worktop can be positioned between 607mm – 1257mm, allowing anyone to work in comfort. It is also possible to set an upper and lower height limit, to prevent accidental collisions and the choice to display Metric or Imperial units.

### Intuitive assembly

The desk is quick and easy to assemble.

### Reduced clutter

Includes cable basket and cable spine, to keep wires tidy.

### Bluetooth® adapter

You can adjust your desk wirelessly using the Desk Control™ app. The app also offers a range of functionality to encourage healthier work routines.

### Covid-safe options

For office environments, the Ergo-Boost Sit-Stand Desk is available with acrylic or glass desk dividers, to limit the spread of germs.

### Peace of mind

5 years warranty, for peace of mind.



# Ergo-Boost

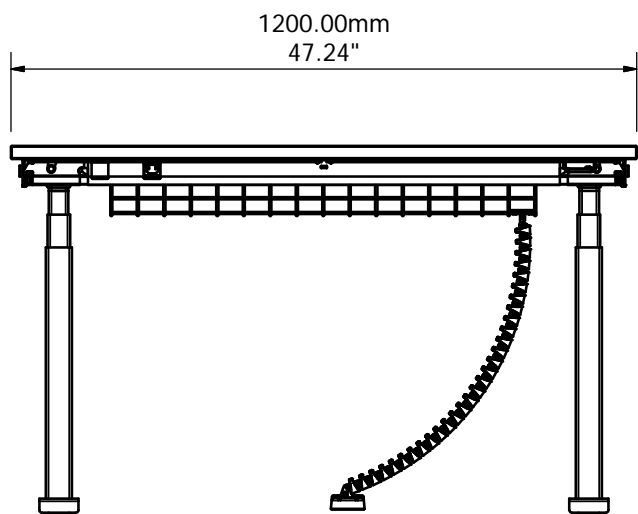
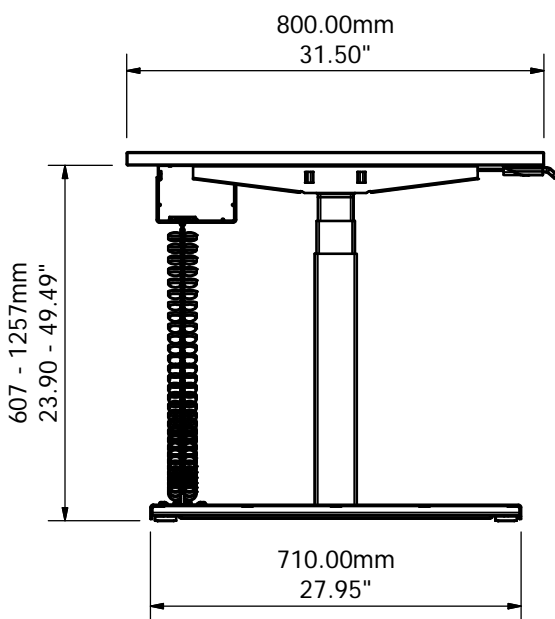
## Sit-Stand Desk

- 1 Standard worktop widths available in 1200mm, 1400mm, 1600mm and 1800mm options
- 2 A. Simple up/down remote lets you adjust worktop height with ease  
B. Memory function stores up to four favourite height positions  
C. Option to set reminder intervals to change position  
D. Choice of Metric or Imperial displays
- 3 Dual lift motors ensure smooth, fast, quiet transition from sit to stand
- 4 Low standby power consumption - only 0.1W
- 5 Telescopic legs allow worktop height range of 607mm – 1257mm
- 6 Slip resistant base prevents movement and sliding while working
- 7 Base foot length 710mm



# Technical information

Standard worktops are available widths of 1200mm, 1400mm, 1600mm and 1800mm. Other dimensions remain the same.



Worktop Dimension	1200 x 800mm
Worktop Material	MFC/Chipboard Laminate
Worktop Colours Available	White, Grey and Light Oak
Frame Colours Available	White, Silver/Grey and Black
Max Load	800N per column
Height Range	607 - 1257mm
Accessories	Cable Basket and Cable Flex



Create workspaces that work.



Solutions to build modern commercial spaces more quickly and efficiently.



Unlock workspace potential.



Ergonomic consultancy and software to improve employee health and productivity.

[www.adapt-global.com](http://www.adapt-global.com)

