

Ergo-Boost

Dual Monitor Stand



Ergo-Boost

Dual Monitor Stand

Simple,
robust,
affordable

Transform your workspace effectively with this simple, no-fuss, dual monitor stand. It lets you align and angle your monitors with precision, so you can achieve the full ergonomic benefits of working with two monitors.



Why choose the Ergo-Boost Dual Monitor Stand?

Straightforward

Requires minimal self-assembly. It can be fitted to many different work surfaces and comes with Bolt Through or C-Clamp mounting options.

Ergonomic

Monitors can be manually height adjusted and aligned. The VESA mounts can be manoeuvred to position monitors close together and angled for comfort. Integrated cable management helps keep wires tidy and organised. Soft edges enhance user safety.

Affordable

A cost-effective alternative to traditional monitor arms, while still offering ergonomic benefits.

Space saving

The stand lifts monitors from the worktop, saving space. This is ideal for environments where room is limited, such as home offices.

Flexible

The stand can hold monitor screens between 17" – 27" and weighing up to 7kg each, so it can accommodate monitors now and in the future. Screens can be rotated through 360°.

Peace of mind

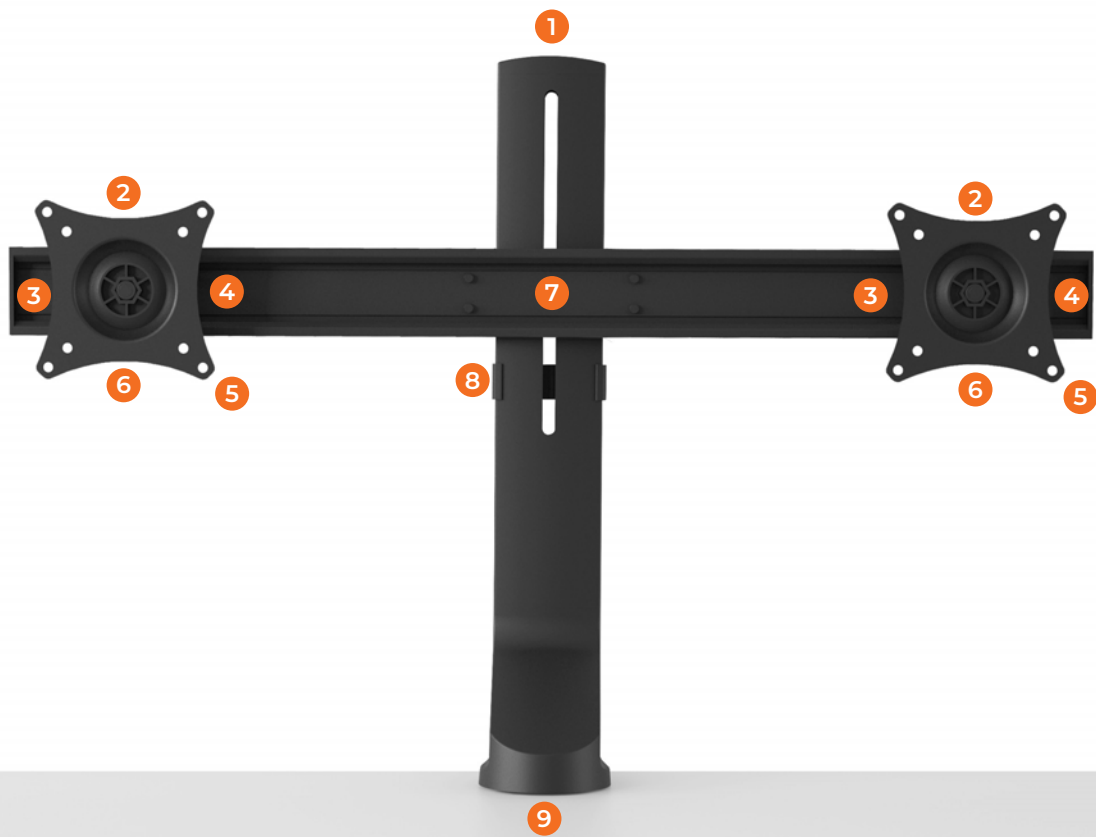
5 years warranty, for peace of mind.



Ergo-Boost

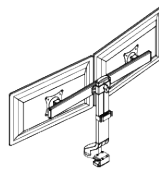
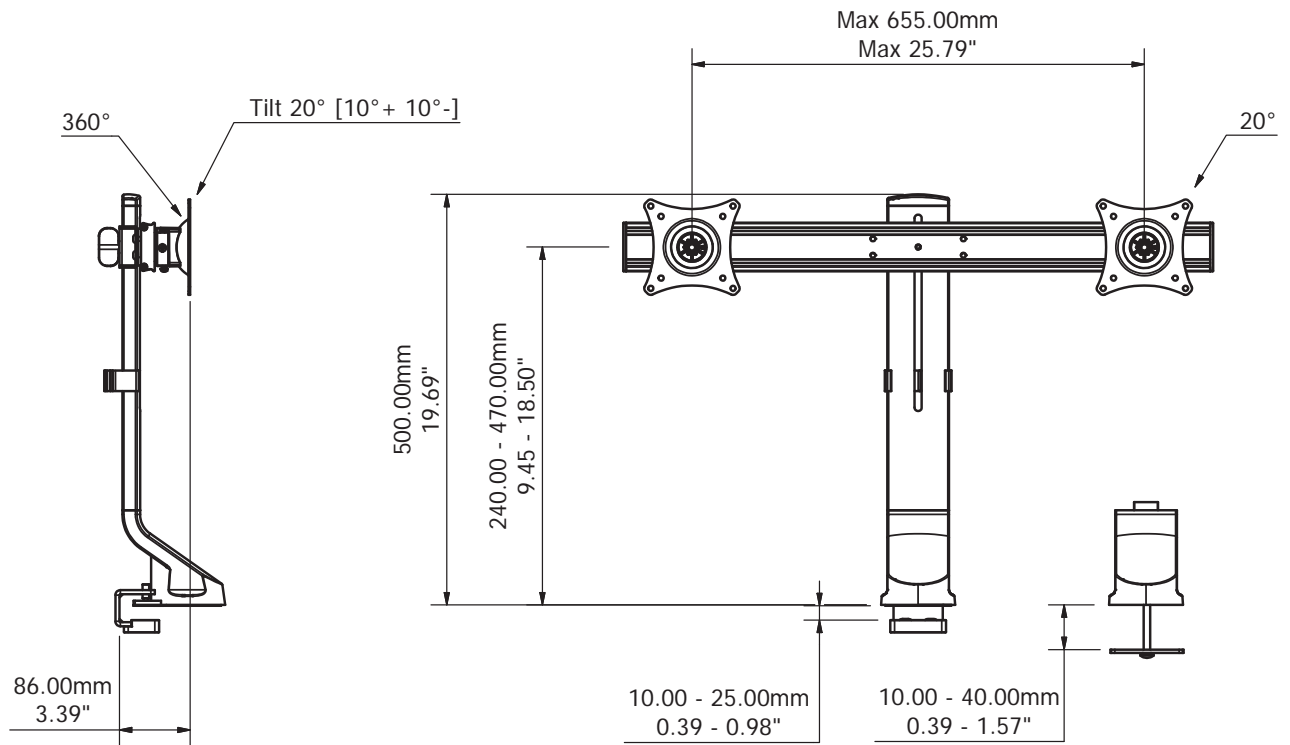
Dual Monitor Stand

- 1 Rounded edges
- 2 Detachable VESA plates for easy installation
- 3 Sliding and tilting VESA mounts with 360° rotation
- 4 Security screws
- 5 75mm and 100mm mounting centres
- 6 Micro adjustment screw for monitor alignment
- 7 Manual height adjustment
- 8 Integrated cable management
- 9 C-Clamp and Bolt Through options



Ergo-Boost

Dual Monitor Stand



Monitor Stand	Weight range	Maximum vertical reach	Maximum horizontal reach	Rotation	Tilt
GA21-BTCC	Max - 7kg per screen	470mm	N/A	N/A	10° + / 10° -

Colours available:	Construction:
Black (BK)	Aluminium, Plastic and Steel



Create workspaces that work.



Solutions to build modern commercial spaces more quickly and efficiently.



Unlock workspace potential.



Ergonomic consultancy and software to improve employee health and productivity.

www.adapt-global.com

