

COVID SECURE WORKPLACE

Desk Dividers

Solutions for infection control

The Covid-19 pandemic has changed the way we work and how workspaces are used. To support a safe, hygienic work environment, Adapt offers a range of desk dividers that can be retrofitted to your existing desks, creating partitions between your employees, while still maintaining an open office feel. The screens create physical barriers to reduce exposure to airborne virus droplet transmission.





Key benefits

- Health and hygiene protection against infectious illnesses
- Clear screens protect workers, while still offering the benefits of visibility
- Retrofits to your existing desks, providing a cost-effective solution
- Easy to clean, reducing germs and dust
- Quick and simple to install and remove
- Suitable for standing desks
- Curved edges provide a smooth, safe finish

Key features

- Available in transparent and frosted options
- Available in acrylic or toughened glass
- Can easily be mounted to the back and sides of a wide range of desks
- Cut-out in back panels for cable management
- Desk Dividers are available in a wide range of standard widths to fit most desks. They can also be customised



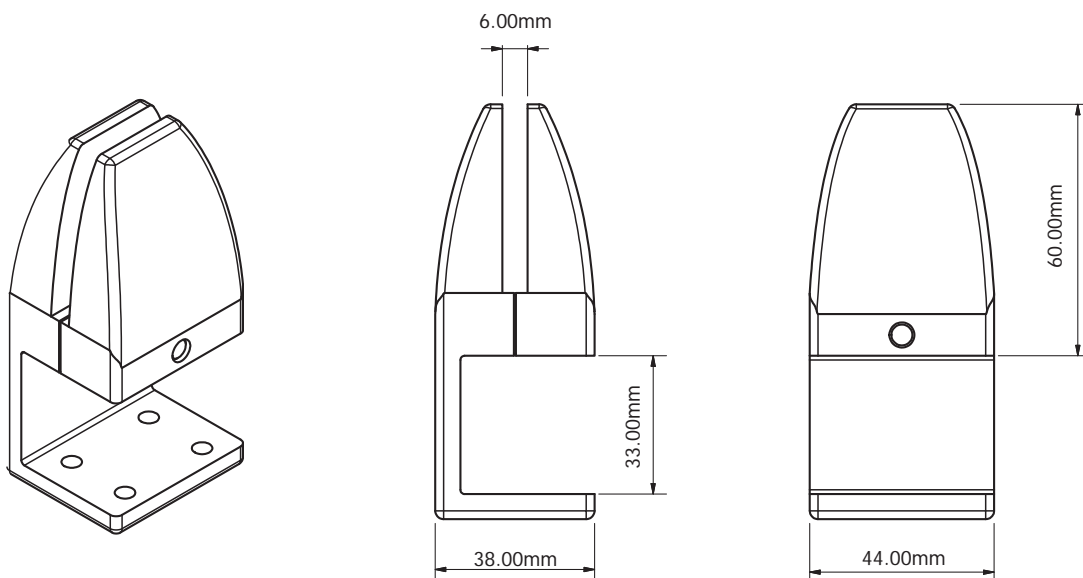
Technical



Material	Acrylic or toughened glass.
Standard back divider screen widths	To fit desk widths of 1200, 1400, 1600mm, 1800mm, 2000mm (with option to customise).
Standard side divider screen widths	To fit sides of 800mm, 900mm, 1000mm (with option to customise).
Height	500mm (with option to customise).
Thickness of screen	6mm (with option to customise).
Finish	Desk divider finish: Clear or frosted with polished edges. Fixing clamp finish: Clear anodised aluminium.
Fixing clamps	Complete with set of 2 or 4 clamps (depending on the size of the screen). Clamps are secured by grub screws. Clamps are suitable for any desk thickness up to a maximum of 32mm.

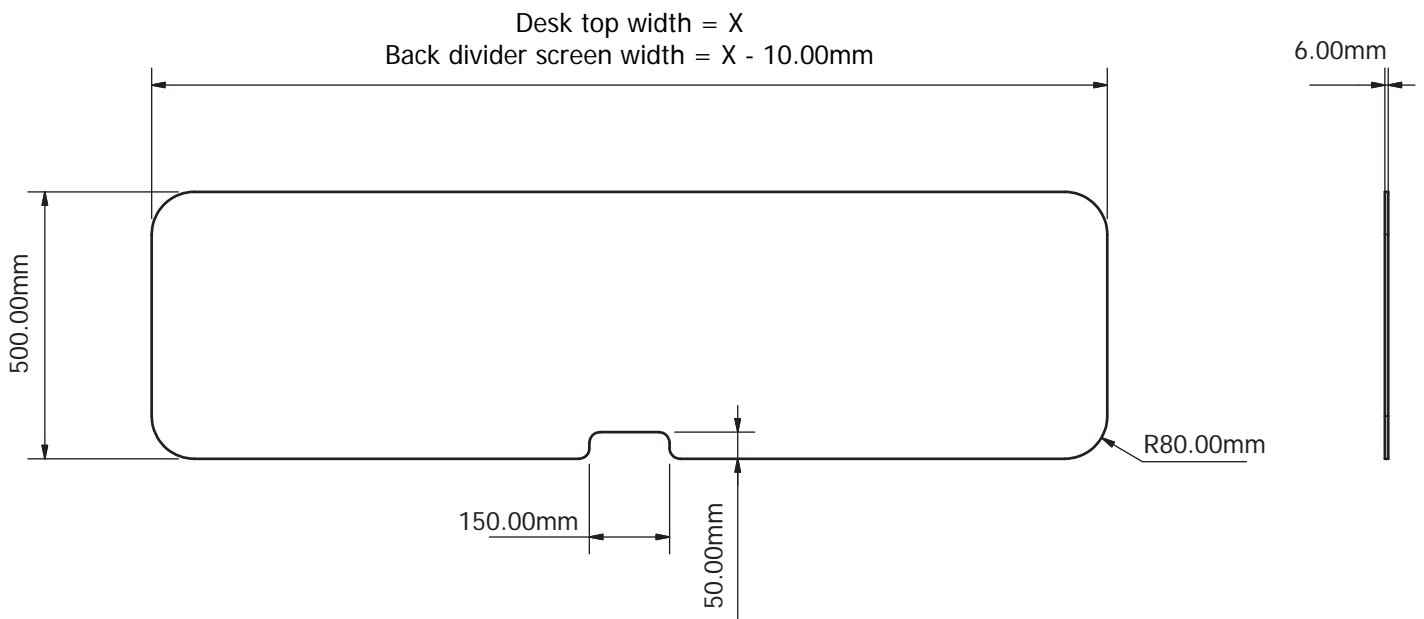
Fixing clamp dimensions

Clamps are easily secured to the desk by grub screws. They are suitable for desks of any size, with worktops of up to 32mm thickness.



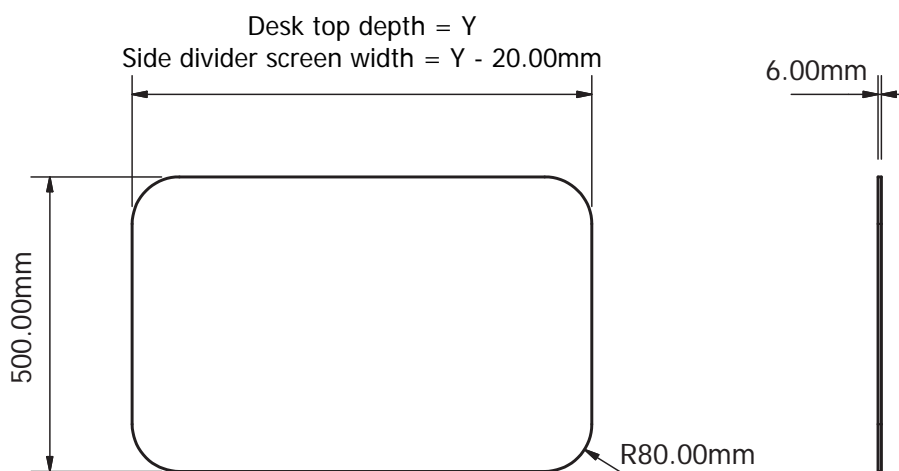
Back divider screen dimensions

Standard back divider screens range for desks between 1200mm and 2000mm, with customised options available. All other dimensions (height, thickness and cut-out) remain the same, regardless of the width.



Side divider screen dimensions

Standard side divider screen widths range for desks between 800mm and 1000mm, with customised options available. Height and thickness remain the same, regardless of the width.





Create workspaces that work.



Solutions to build modern commercial spaces more quickly and efficiently.



Unlock workspace potential.



Ergonomic consultancy and software to improve employee health and productivity.

www.adapt-global.com

