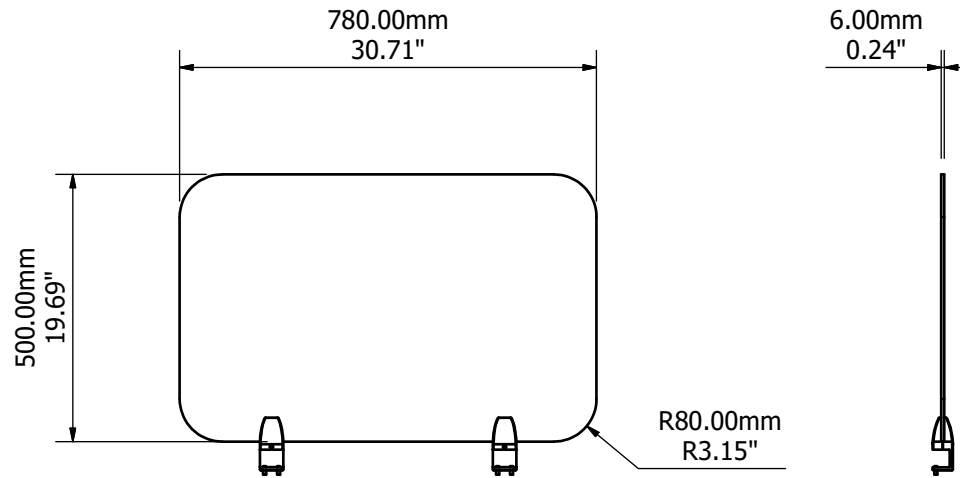
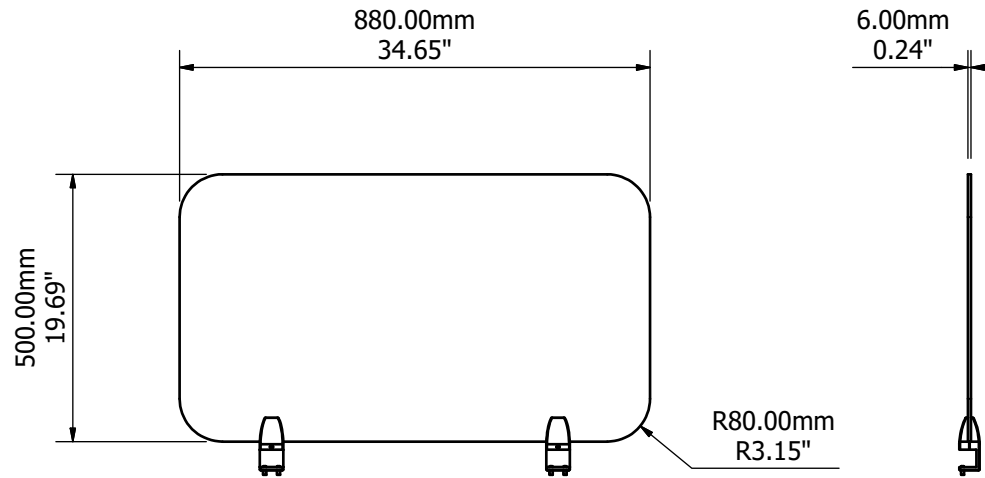


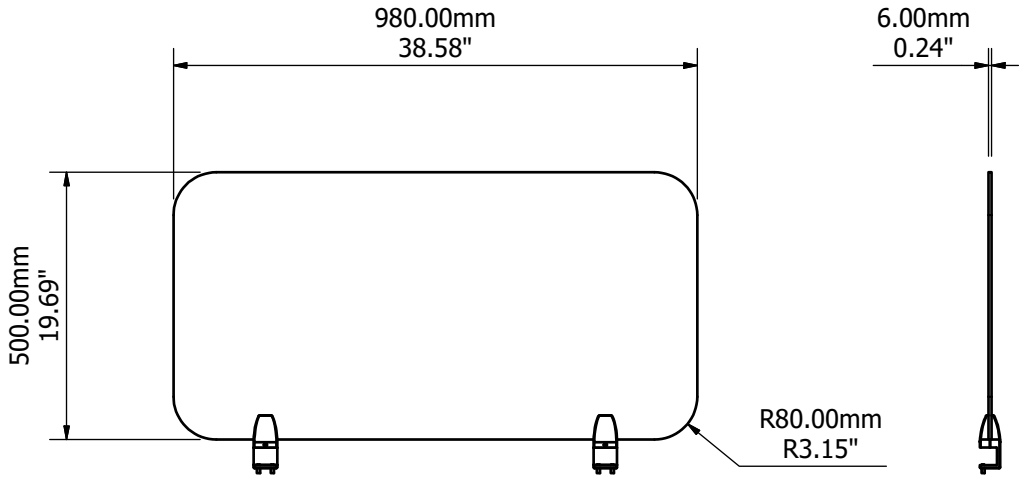
Construction	6mm Clear acrylic or glass
Finish & Colour	Polished edges. Clear
Part No.	SCRN-077CA-AC-AS
Further Details	Side screen for 800mm deep worktop



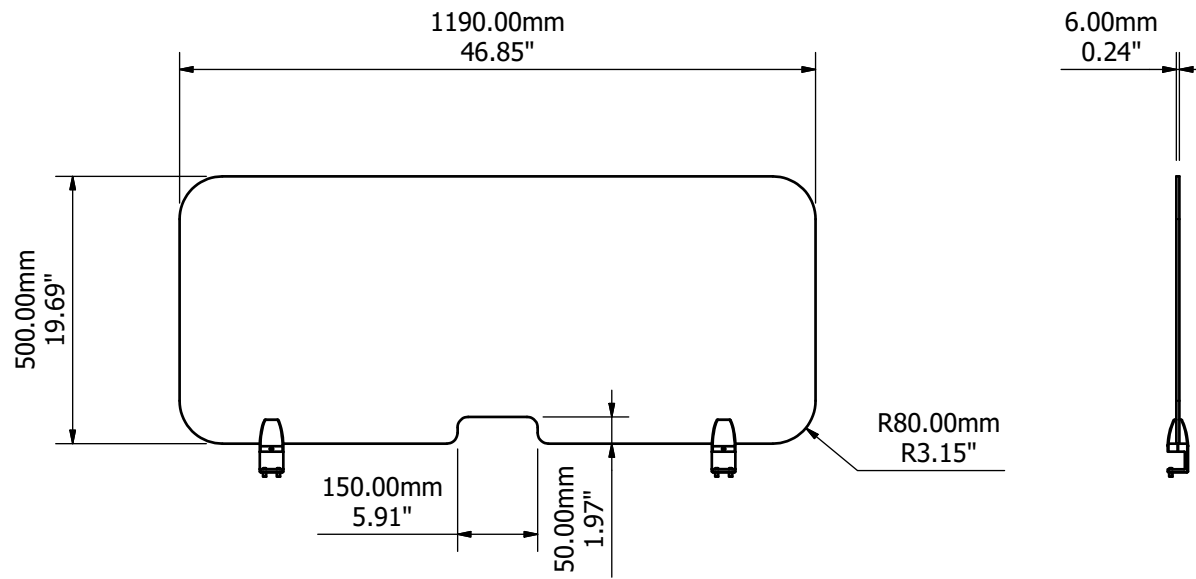
Construction	6mm Clear acrylic or glass
Finish & Colour	Polished edges. Clear
Part No.	SCRN-091CA-AC-AS
Further Details	Side screen for 900mm deep worktop



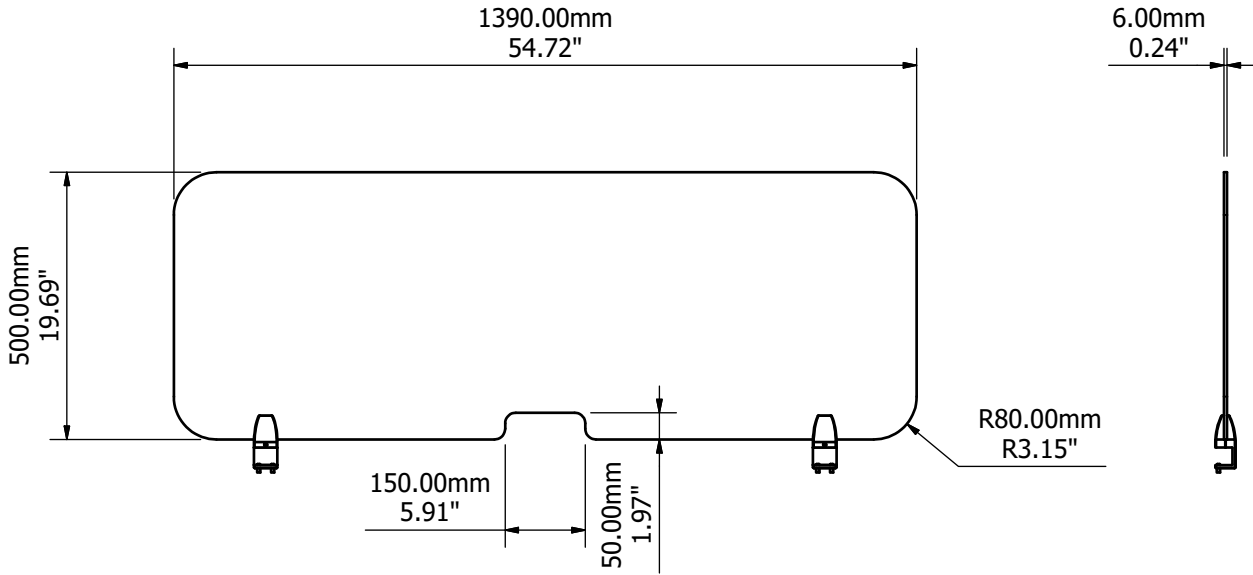
Construction	6mm Clear acrylic or glass
Finish & Colour	Polished edges. Clear
Part No.	SCRN-092CA-AC-AS
Further Details	Side screen for 1000mm deep worktop



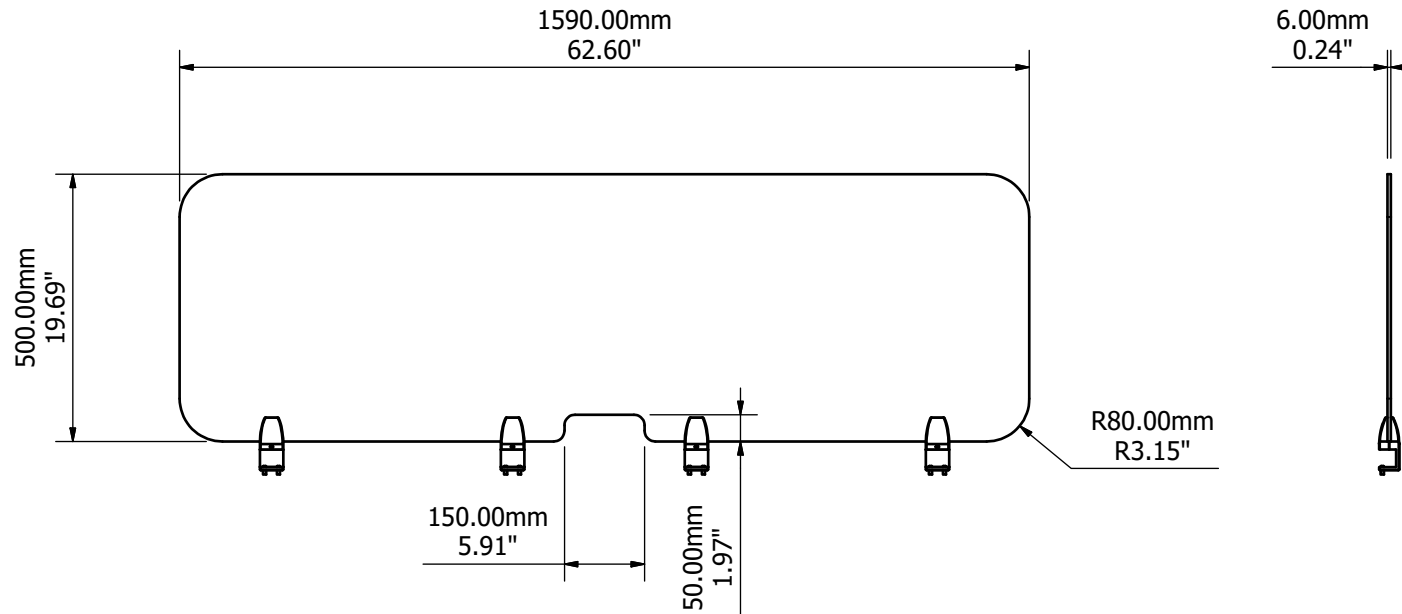
Construction	6mm Clear acrylic or glass
Finish & Colour	Polished edges. Clear
Part No.	SCRN-078CA-AC-AS
Further Details	Back screen for 1200 freestanding



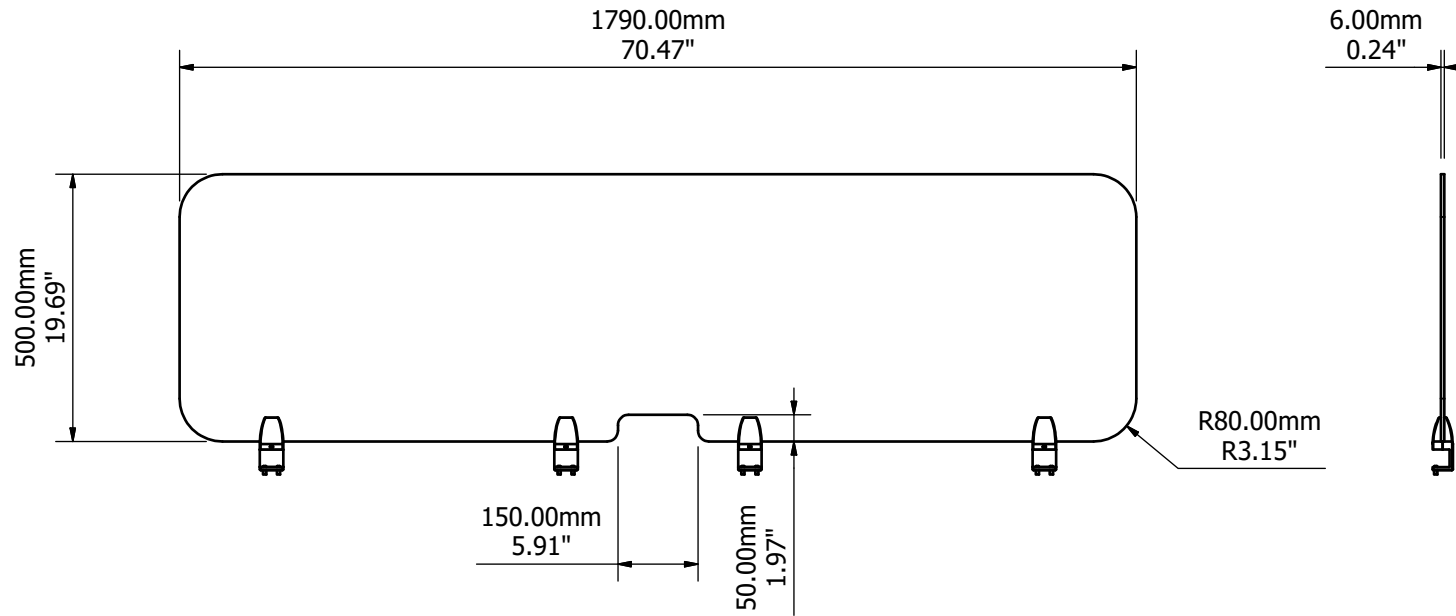
Construction	6mm Clear acrylic or glass
Finish & Colour	Polished edges. Clear
Part No.	SCRN-079CA-AC-AS
Further Details	Back screen for 1400 freestanding



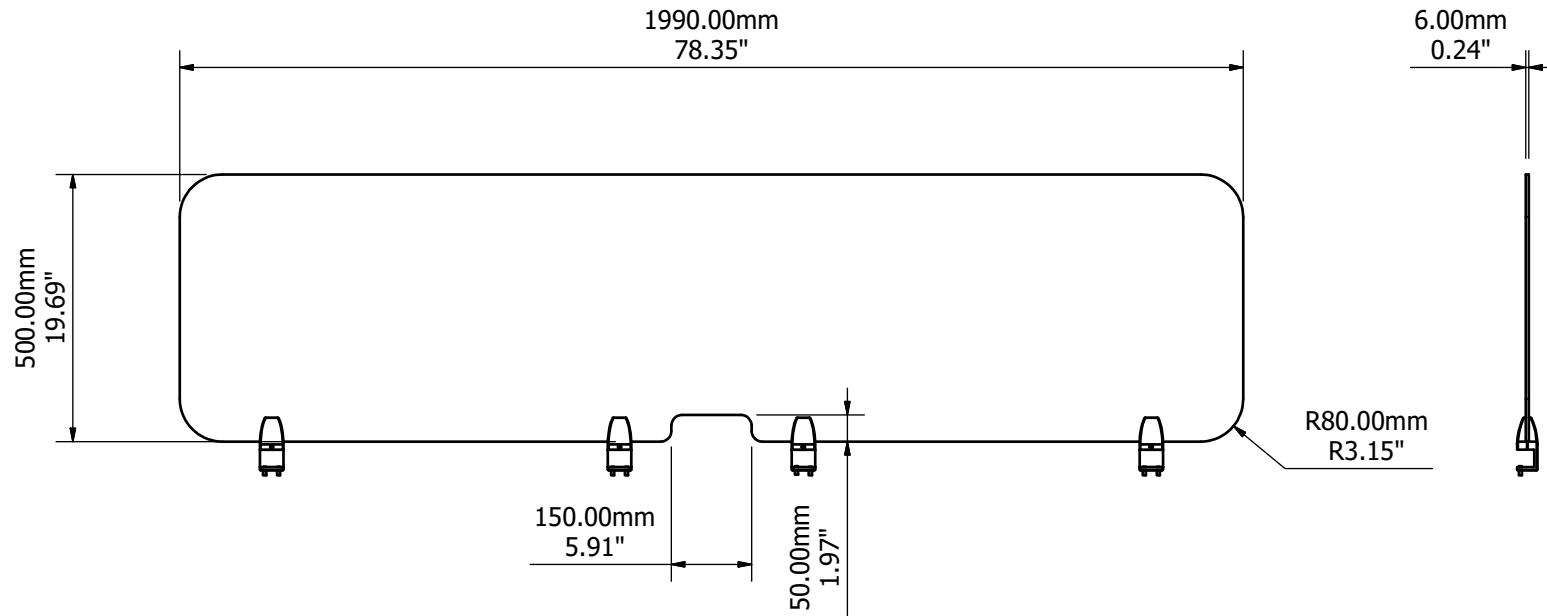
Construction	6mm Clear acrylic or glass
Finish & Colour	Polished edges. Clear
Part No.	SCRN-080CA-AC-AS
Further Details	Back screen for 1600 freestanding



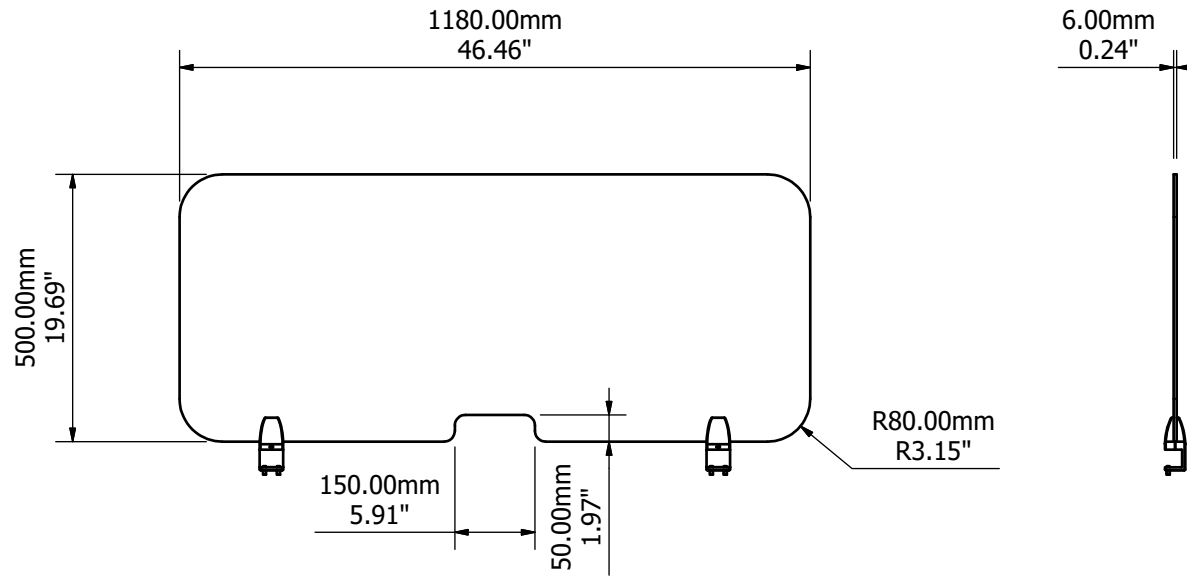
Construction	6mm Clear acrylic or glass
Finish & Colour	Polished edges. Clear
Part No.	SCRN-081CA-AC-AS
Further Details	Back screen for 1800 freestanding



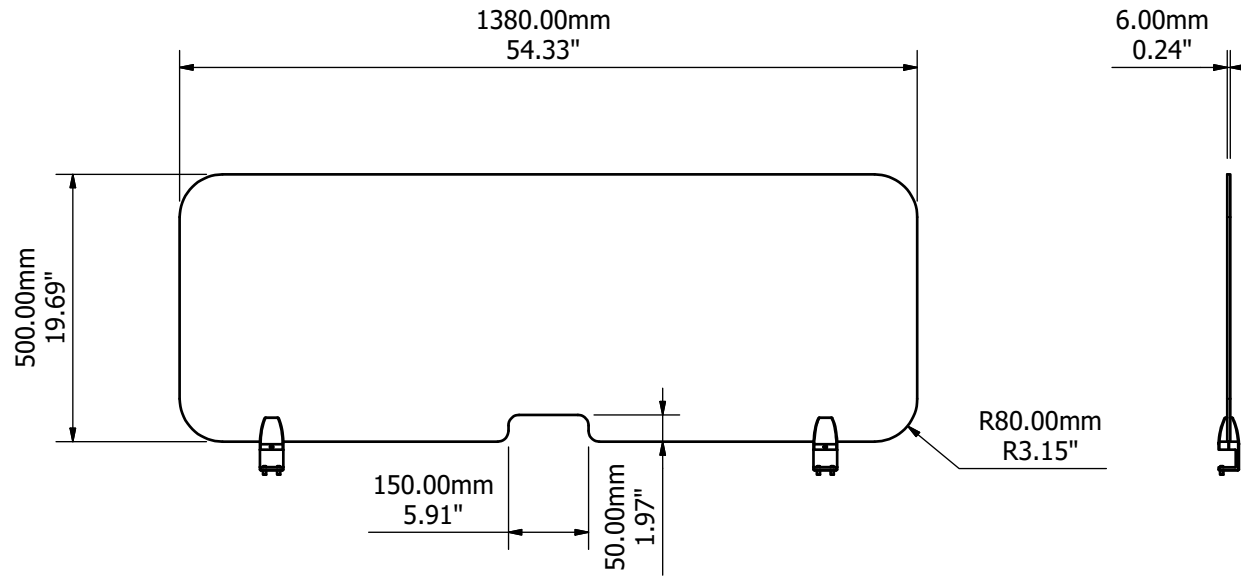
Construction	6mm Clear acrylic or glass
Finish & Colour	Polished edges. Clear
Part No.	SCRN-090CA-AC-AS
Further Details	Back screen for 2000 freestanding



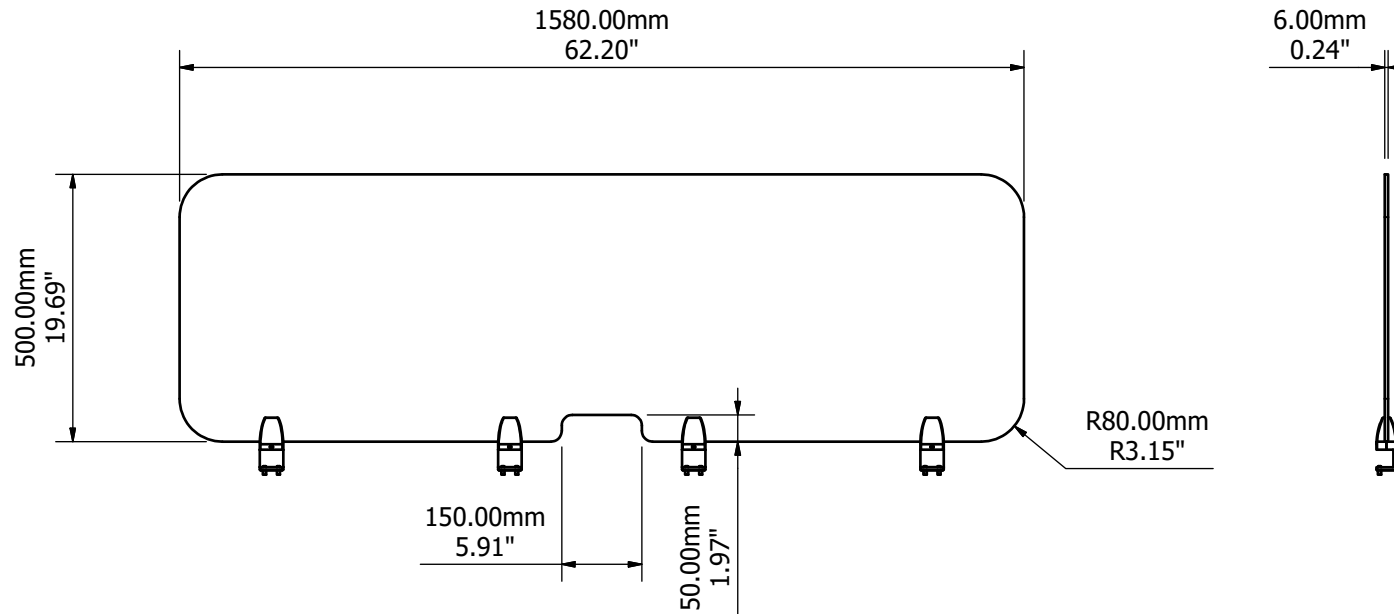
Construction	6mm Clear acrylic or glass
Finish & Colour	Polished edges. Clear
Part No.	SCRN-083CA-AC-AS
Further Details	Back screen for 1200 Kinisi Panel System



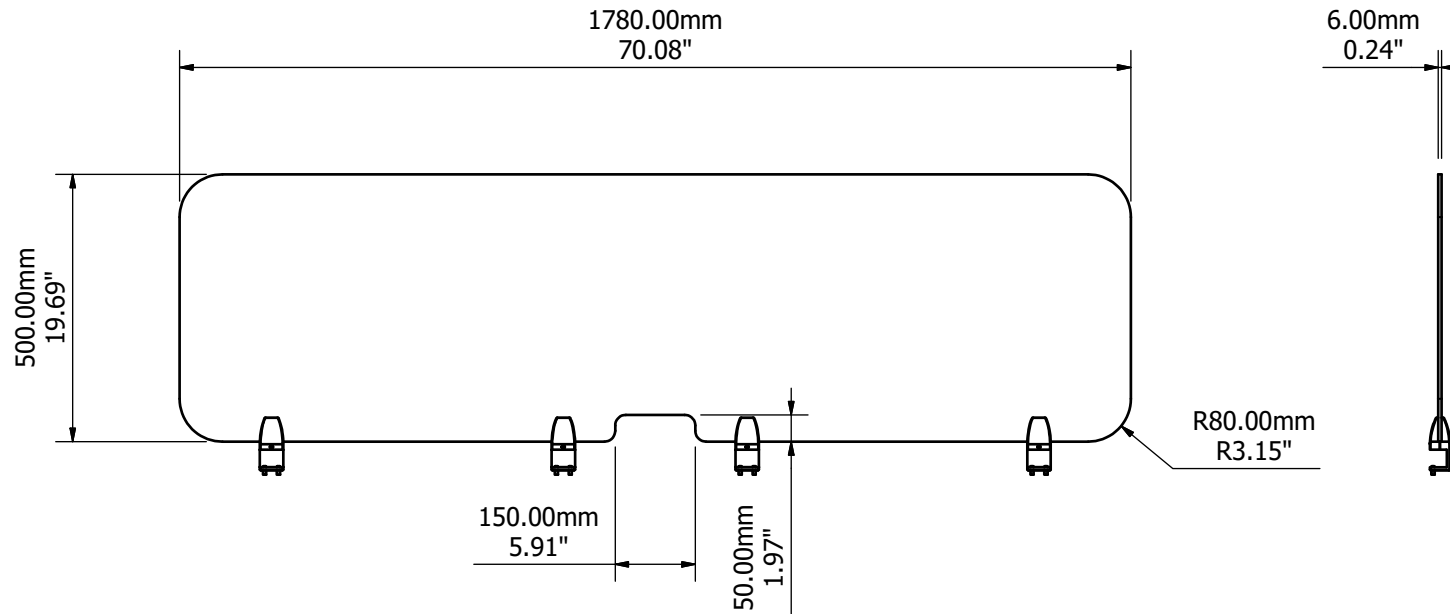
Construction	6mm Clear acrylic or glass
Finish & Colour	Polished edges. Clear
Part No.	SCRN-084CA-AC-AS
Further Details	Back screen for 1400 Kinisi Panel System



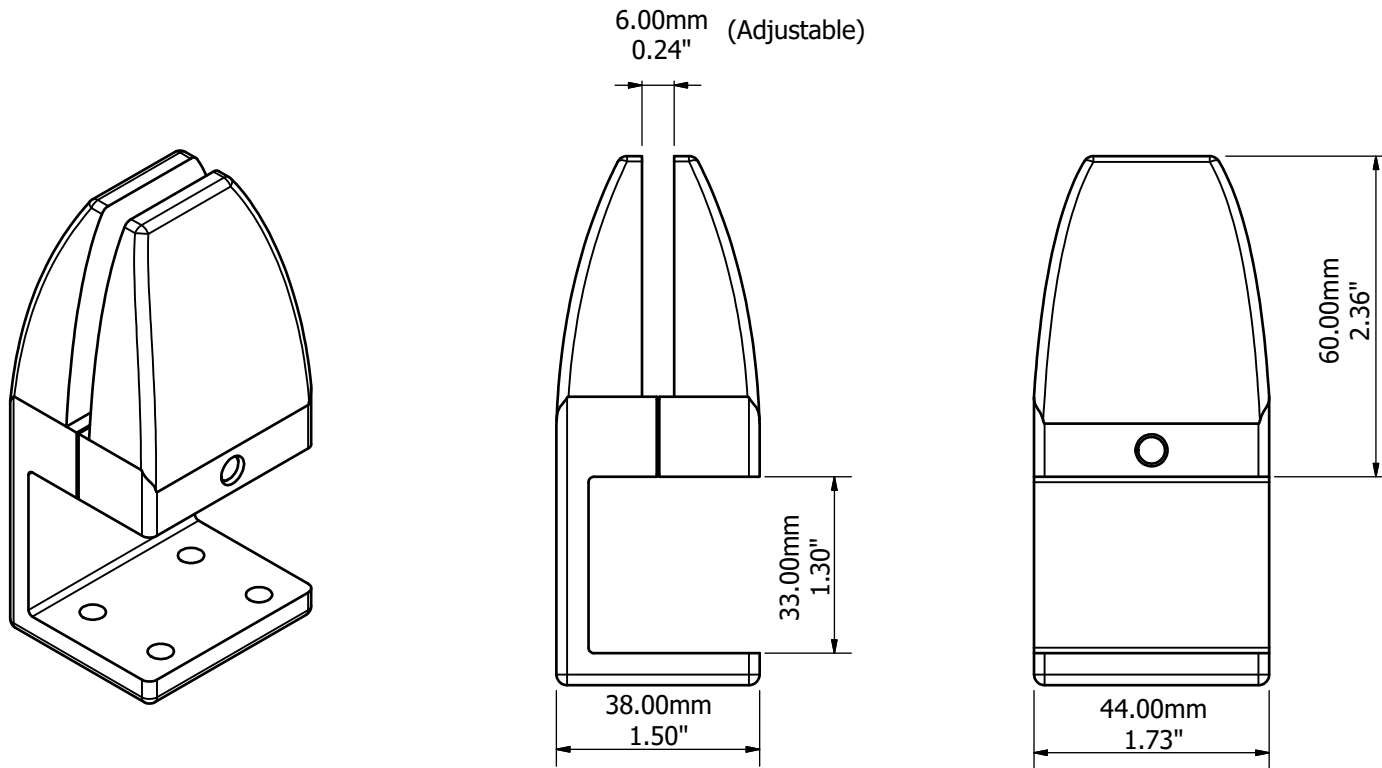
Construction	6mm Clear acrylic or glass
Finish & Colour	Polished edges. Clear
Part No.	SCRN-085CA-AC-AS
Further Details	Back screen for 1600 Kinisi Panel System



Construction	6mm Clear acrylic or glass
Finish & Colour	Polished edges. Clear
Part No.	SCRN-086CA-AC-AS
Further Details	Back screen for 1800 Kinisi Panel System



Construction	Aluminium
Finish & Colour	Clear anodised
Further Details	Suitable for any desk thickness up to a maximum of 32mm



Asia

China

infocn@adapt-global.com

Hong Kong

infohk@adapt-global.com

Philippines

infohk@adapt-global.com

Europe

France

infofr@adapt-global.com

Germany

infode@adapt-global.com

United Kingdom

infouk@adapt-global.com

North America

Canada

infocdn@adapt-global.com

Mexico

infomx@adapt-global.com

USA

infousa@adapt-global.com