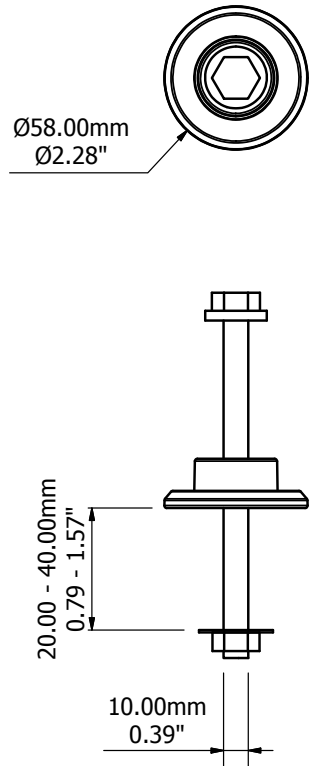
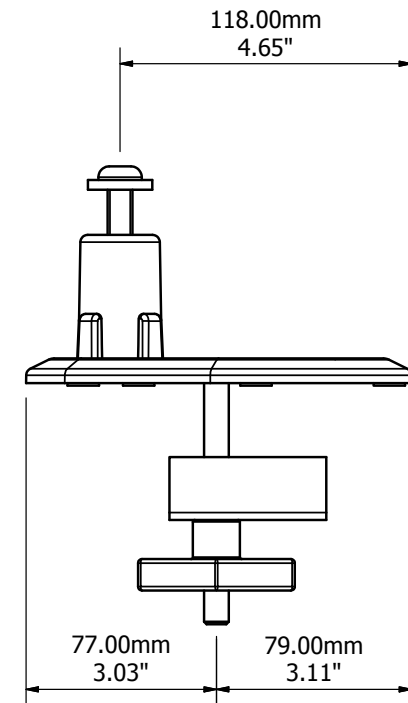
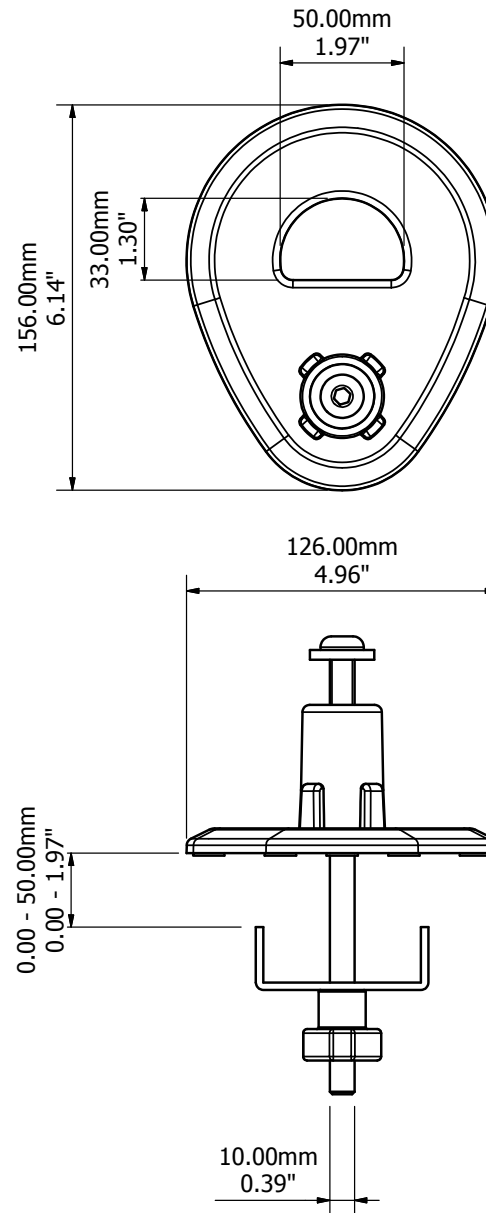


Adjustment	5mm Allen Key
Monitor Weight	Lightweight - (0.9kg - 4.53kg) Standard - (2.26kg - 7.25kg) Heavy Duty - (6.80kg - 13.6kg).
Mounting	75mm and 100mm VESA Mounting Centres, 'Direct Mount'
Construction	Aluminium die casting, steel and nylon
Finish & Colour	Powder coated, Platinum, Black, White or Soft White.
Fixings	Included for mounting and monitor
Packaging	Product dependent

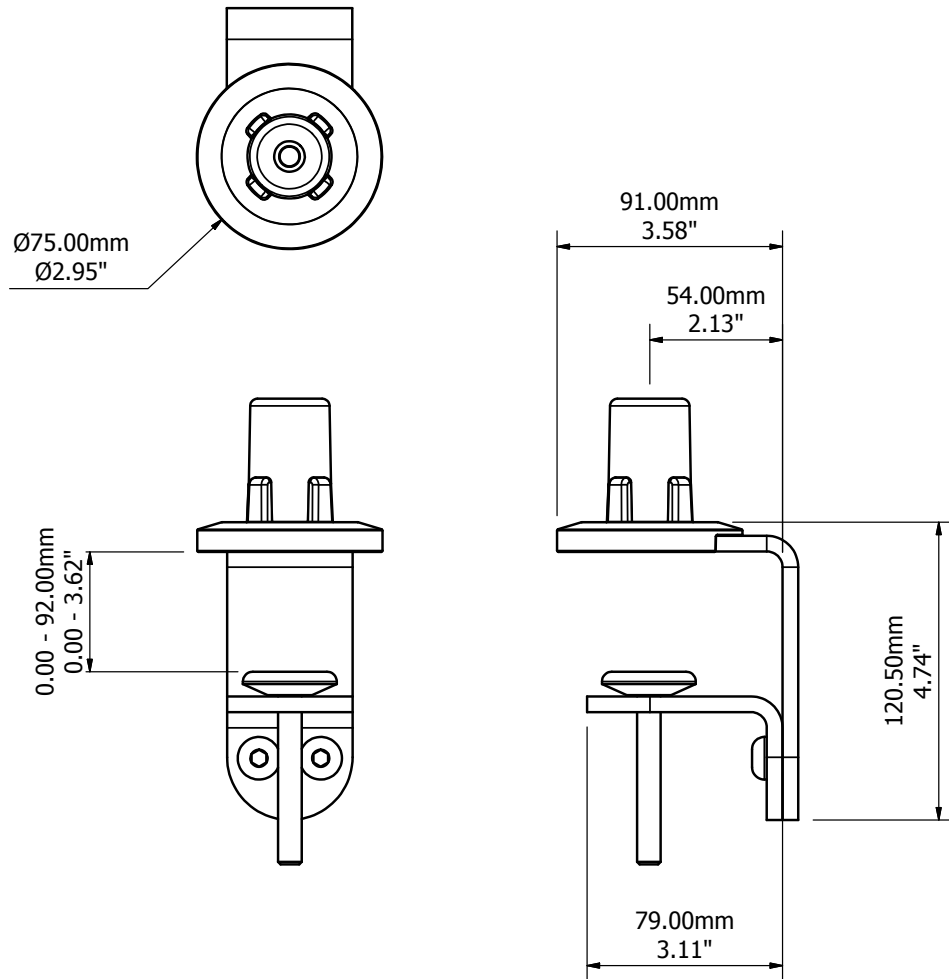
Bolt Through - BT



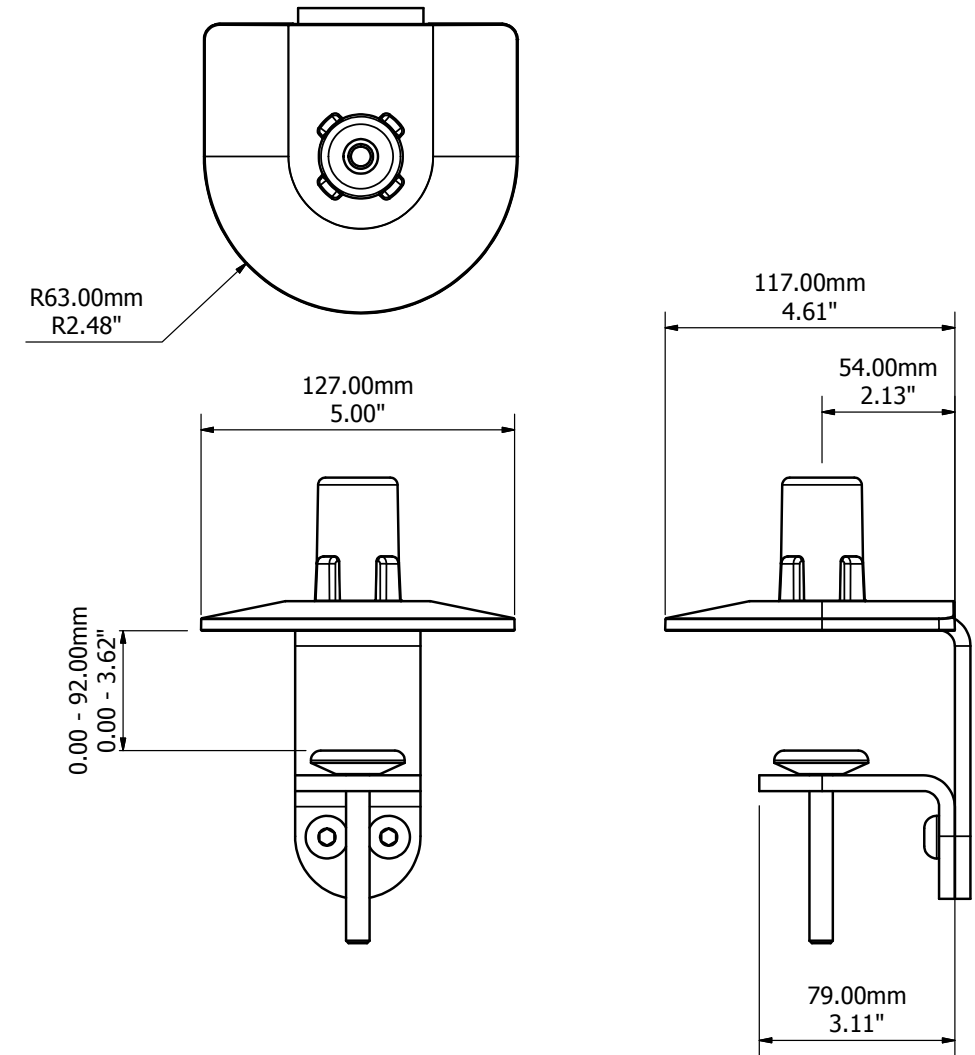
Grommet Mount - GT



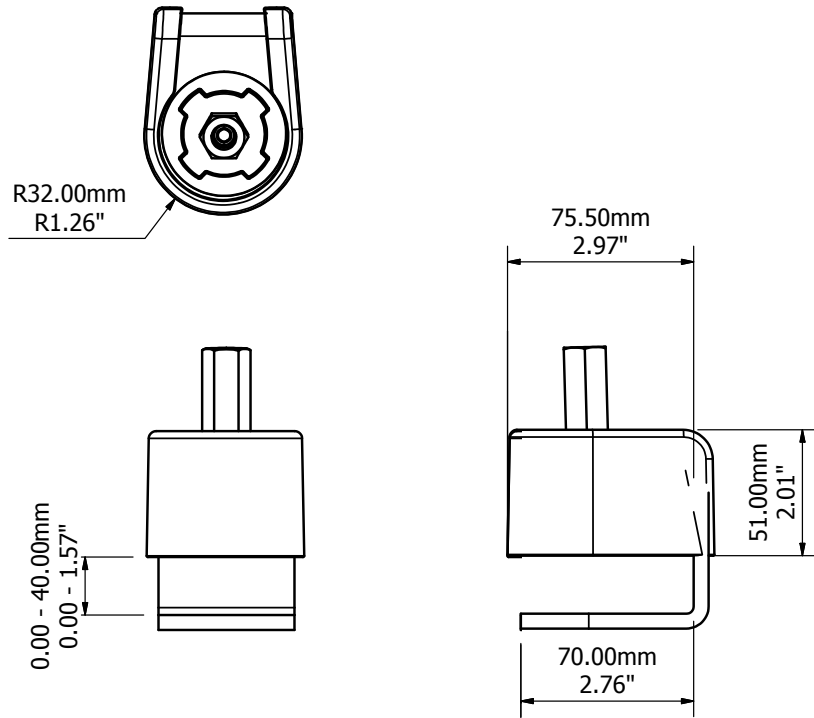
C-Clamp - CC



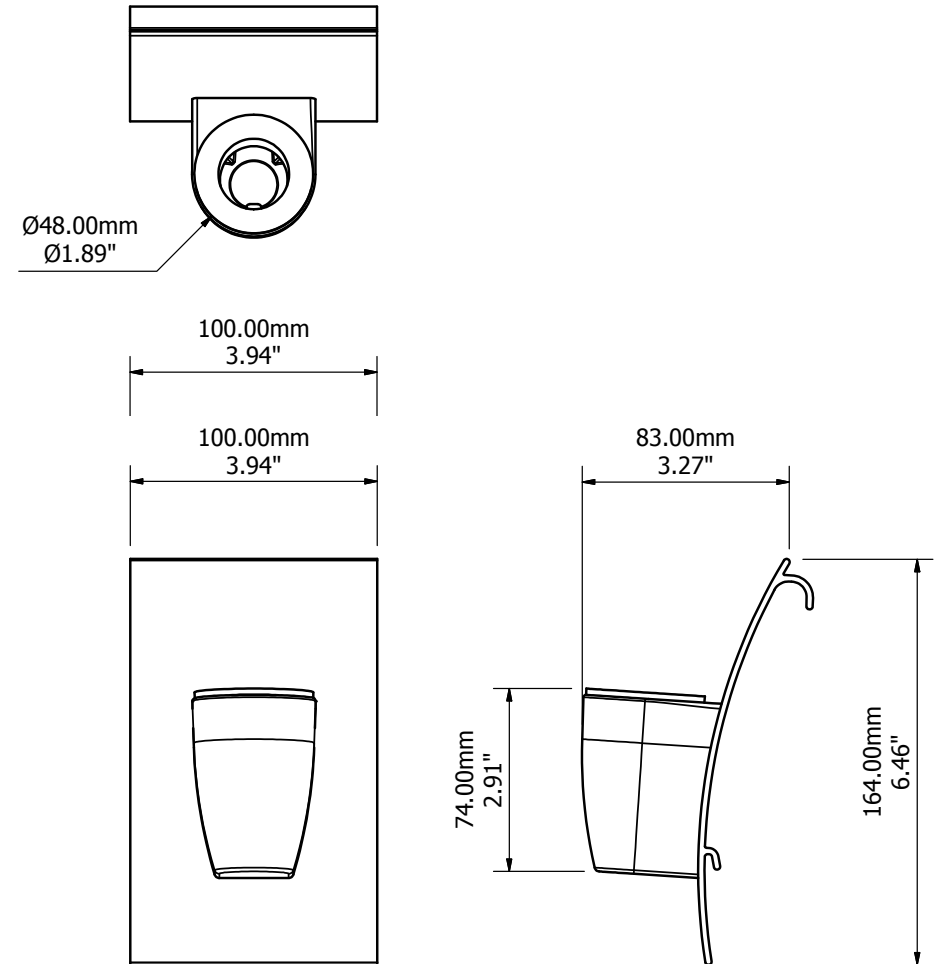
Large C-Clamp - CL



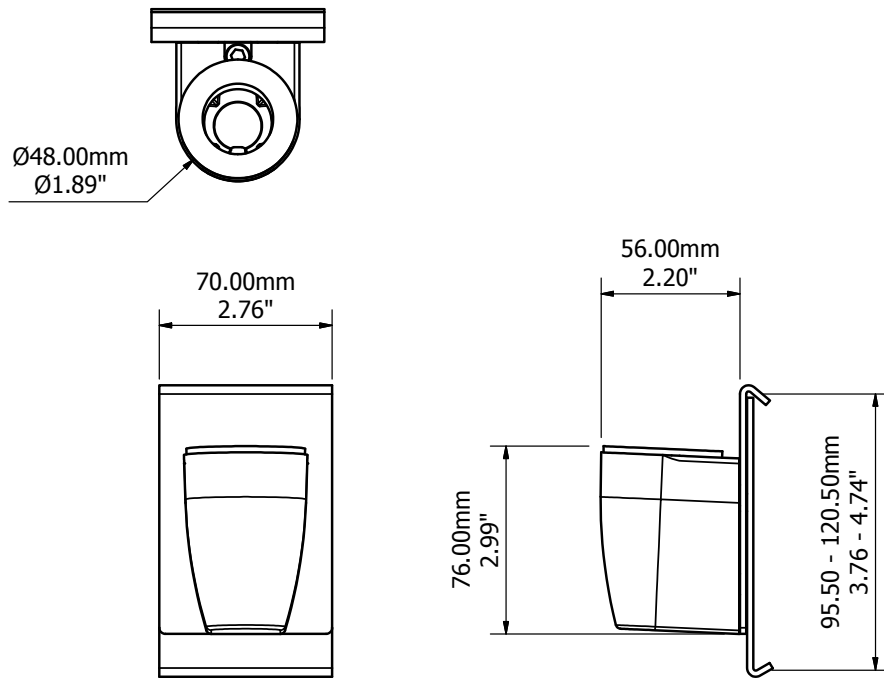
Above Desk Clamp - AC



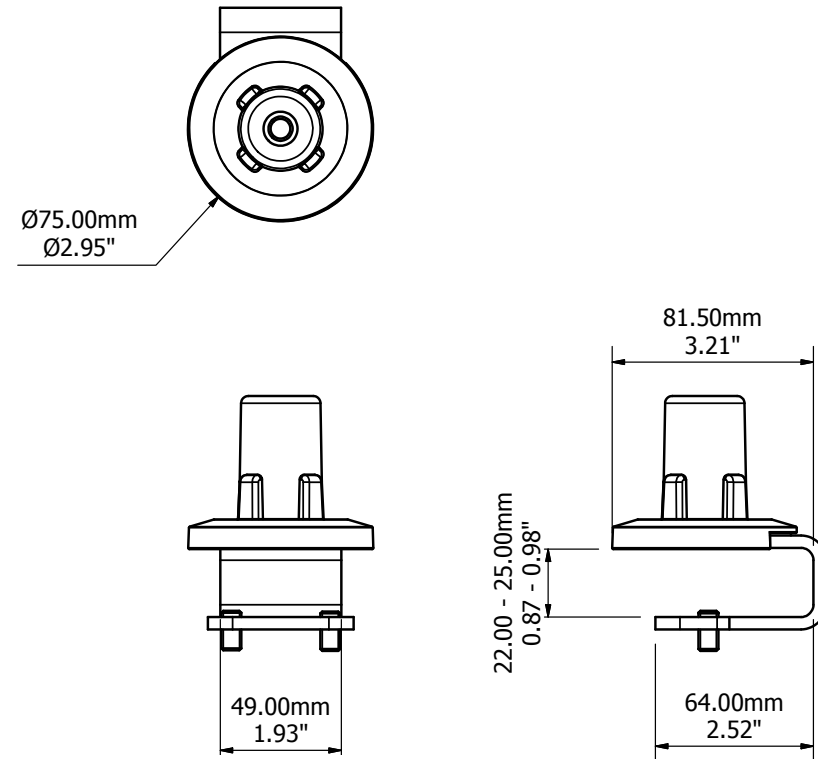
SpaceBeam I Mount - BM



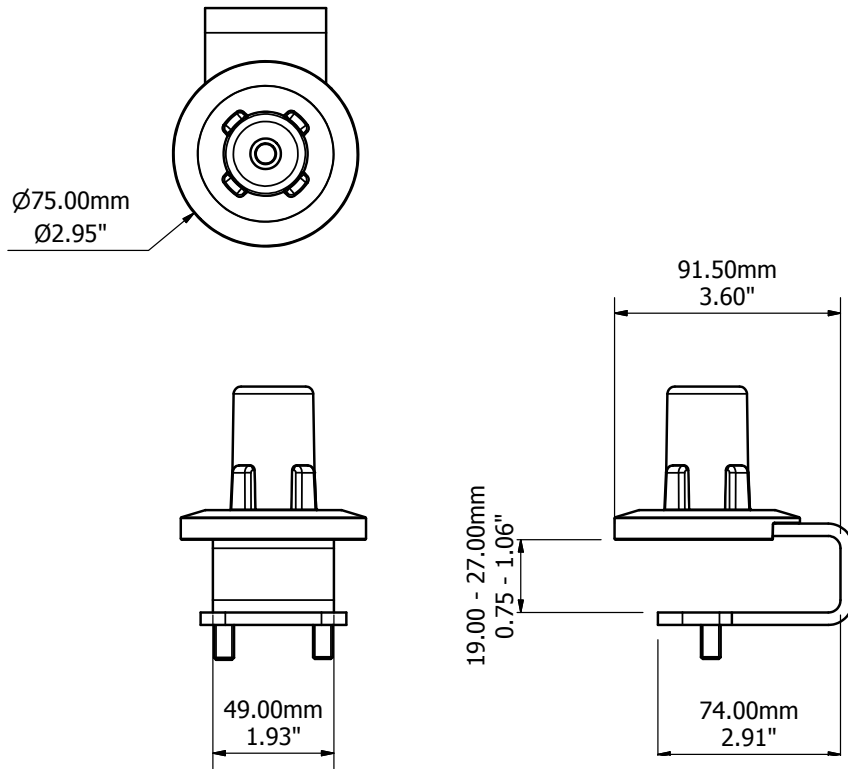
SpaceBeam II Mount - VM-ADJL4



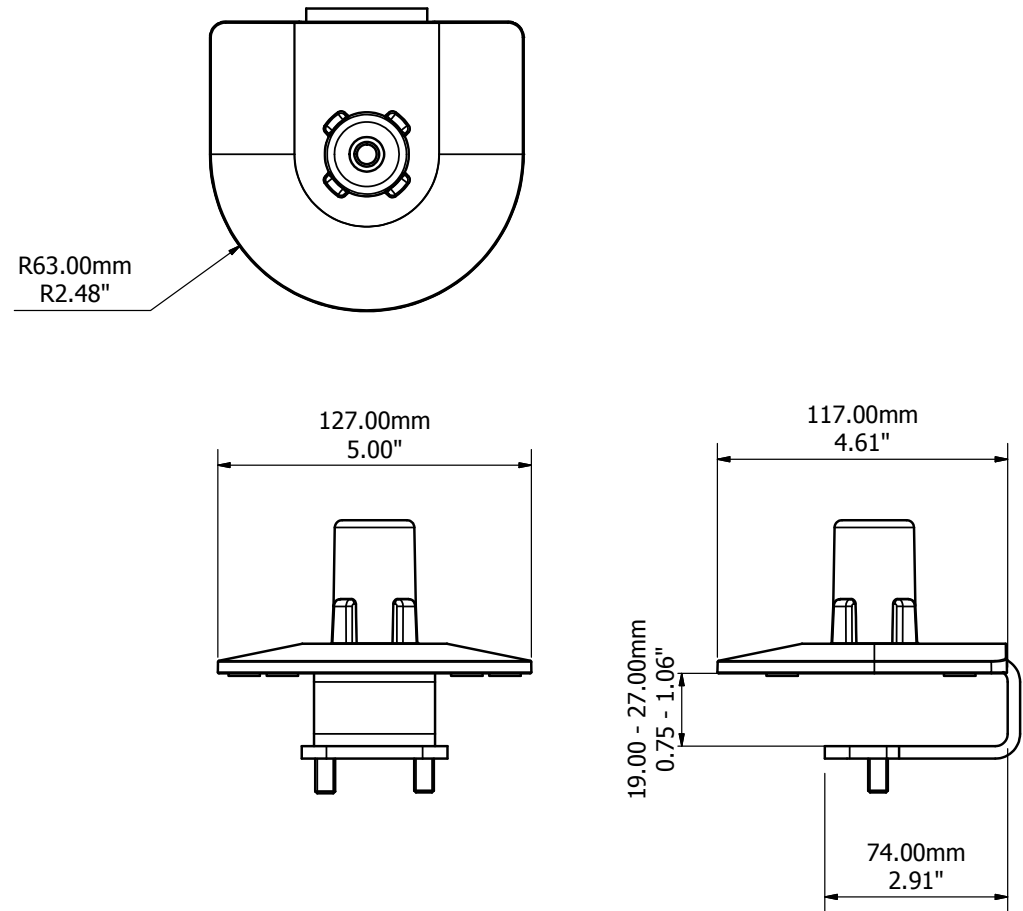
Small C-Clamp - SPCA



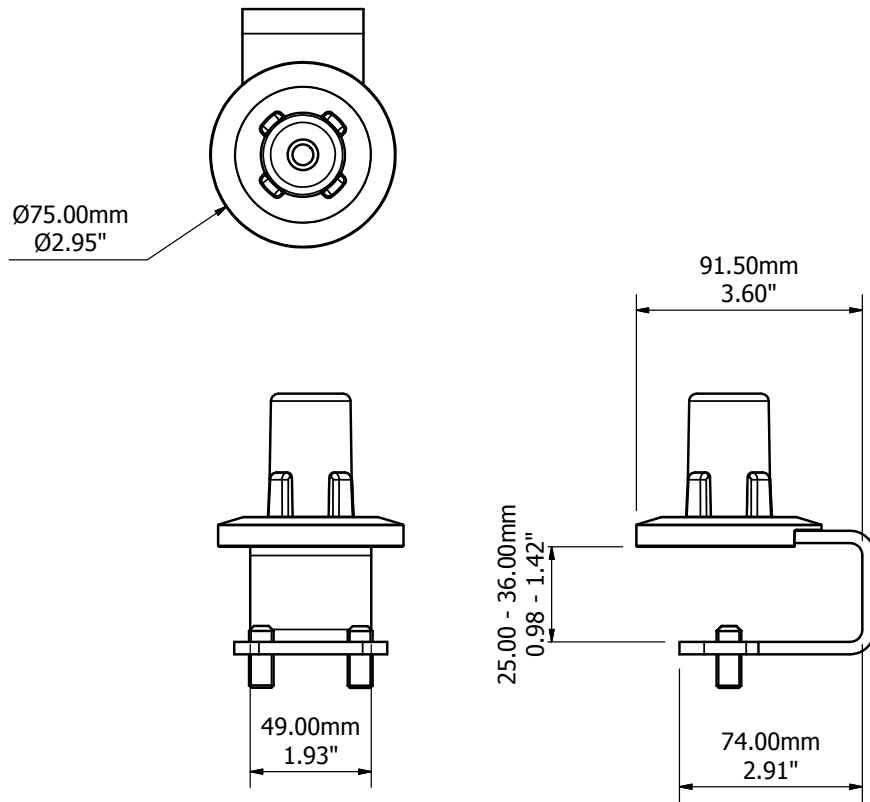
Mini Clamp - MCC



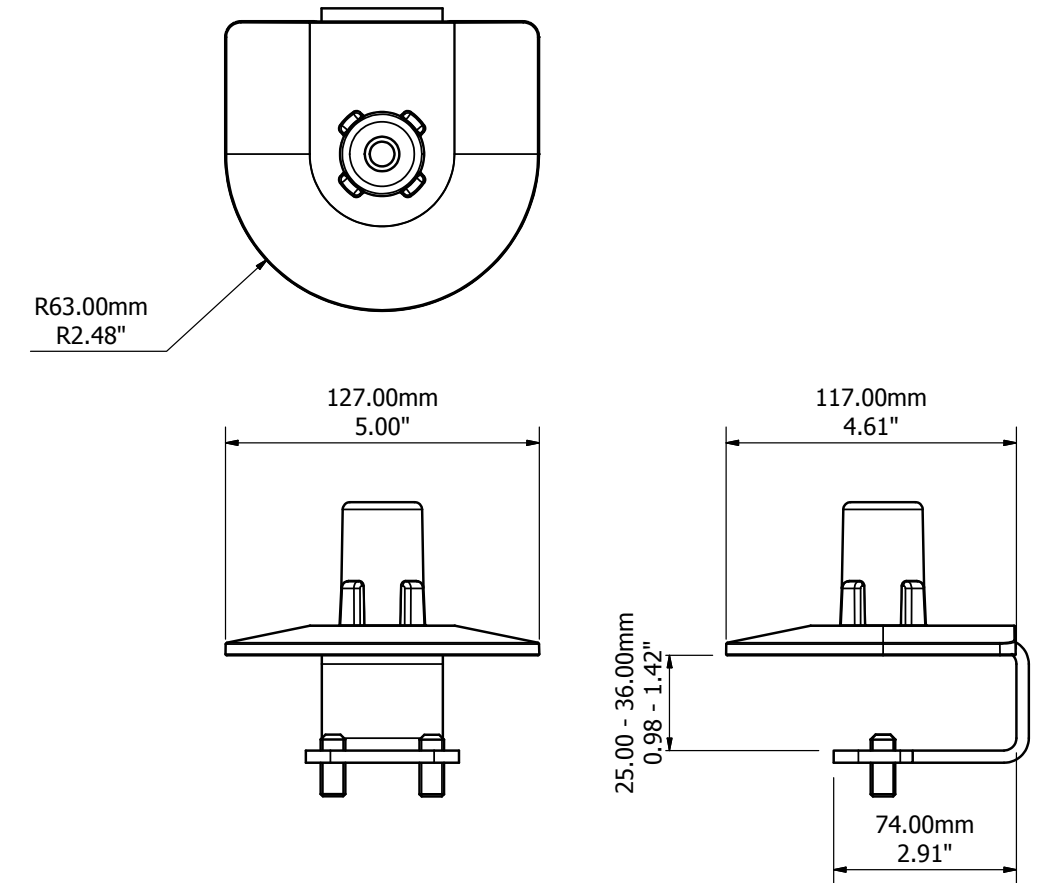
Mini CL Clamp - MCL



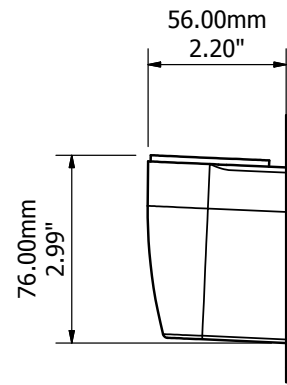
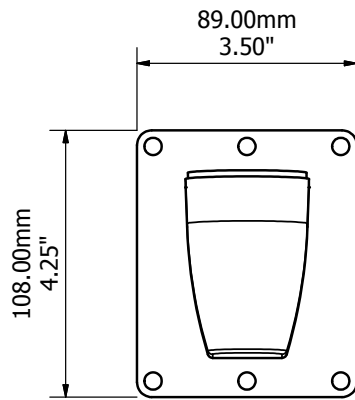
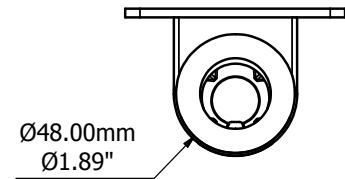
HCC Clamp - HCC



HCL C-Clamp - HCL



Wall Mount - VM-WM



Asia

China

infocn@adapt-global.com

Hong Kong

infohk@adapt-global.com

Philippines

infohk@adapt-global.com

Europe

France

infofr@adapt-global.com

Germany

infode@adapt-global.com

United Kingdom

infouk@adapt-global.com

North America

Canada

infocdn@adapt-global.com

Mexico

infomx@adapt-global.com

USA

infousa@adapt-global.com