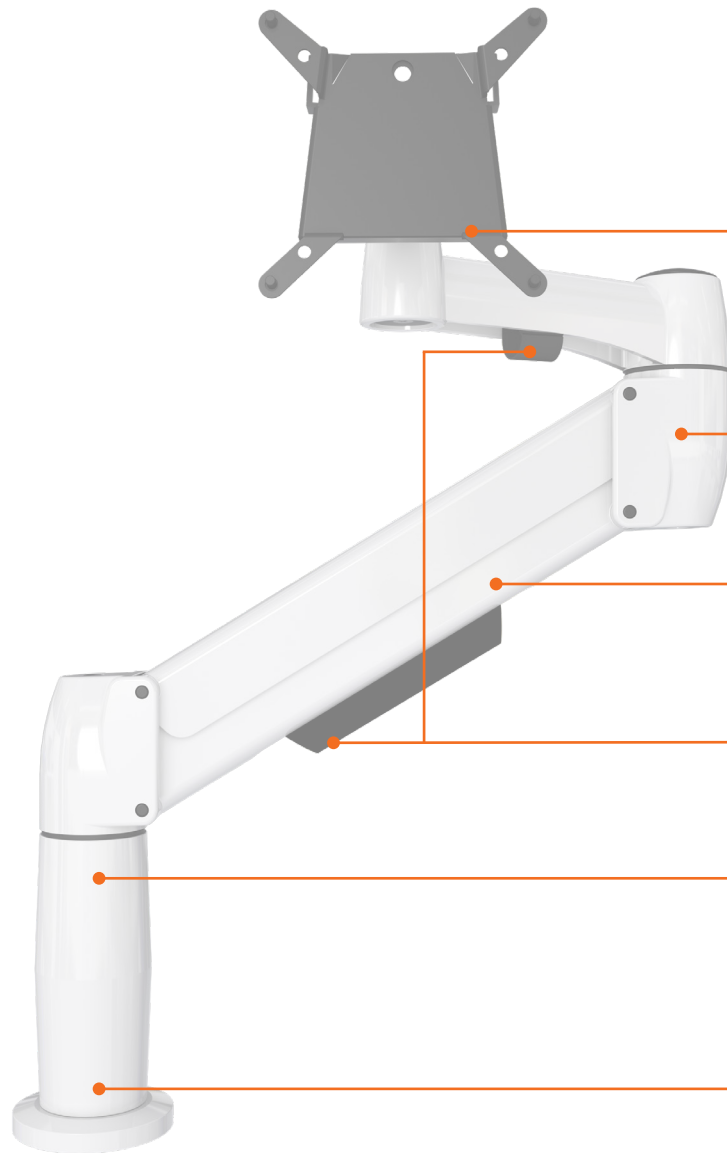


ergonomic workplace solutions



SpaceArm User Guide 2019



With the use of the Adapt SpaceArm, your monitor can be positioned in the most ergonomically efficient way at the correct height and angle, whether you are sitting or standing at your desk. Correctly positioned monitors will promote productivity and well-being, improving back and neck posture and reduce eye strain.

Quick Change VESA option makes swapping monitors quick and easy, while offering 40° tilt forward/ backward, 360° clockwise/ anticlockwise (for rotating the screen between landscape and portrait orientation) and 320° left to right. A Direct Mount VESA is also available if more security is required.

Several arm options are available, allowing the SpaceArm to suit all budgets and numerous working requirements such as 'hot desking' and agile working.

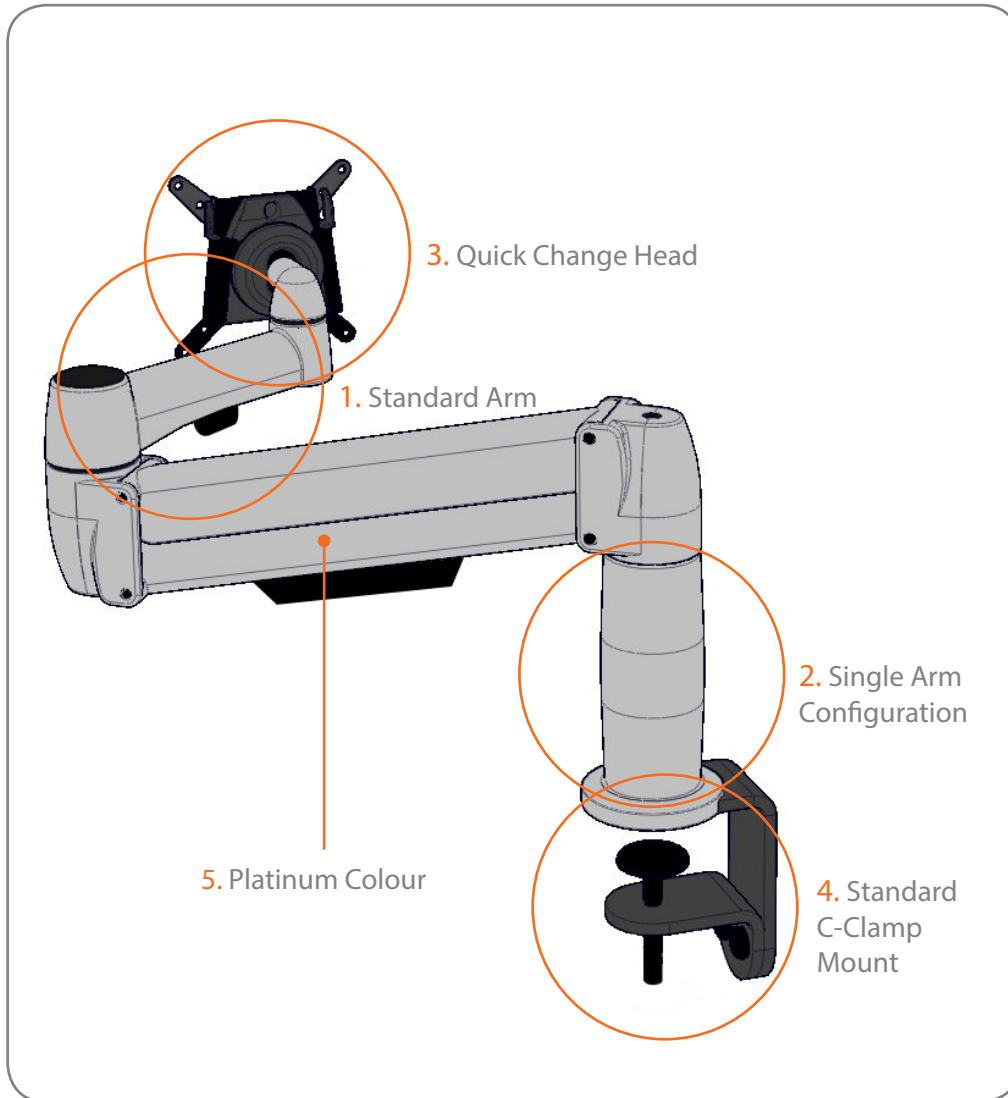
Unique gas-lift system gives easy height adjustment to ensure the monitor can be positioned at the correct ergonomic height for the user. Available in lightweight (0.9kg – 4.53kg), standard (2.26kg – 7.25kg) and heavy duty (6.80kg – 13kg).

Cable Management is integrated into the arm to help maintain a tidy and organised workspace.

Up to 8 monitors from a single column - allows the SpaceArm to be upgraded. With the use of the hub and spoke system, the SpaceArm can upgrade from a single arm to a double, triple, quad or even a double quad.

Numerous mounting options are available, allowing SpaceArm to be mounted to virtually any horizontal or vertical surface, including the majority of office furniture panel systems.





Part Number Key

1 2 3 4 5
[XX][XX][XX]-[XX]-[XXX]

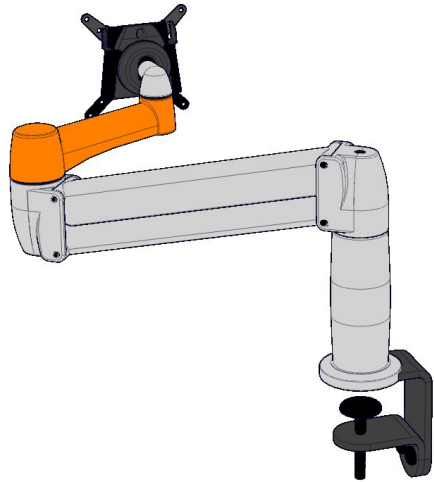
1. Arm Type 2. Arm Configuration 3. Head Type 4. Mount Type 5. Colour

Part Number Example:

1 2 3 4 5
[SA][01][QC]-[CC]-[PLT]

1. Standard Arm 2. Single Arm Set-up 3. Quick Change Head 4. Standard C-Clamp Mount 5. Platinum Colour

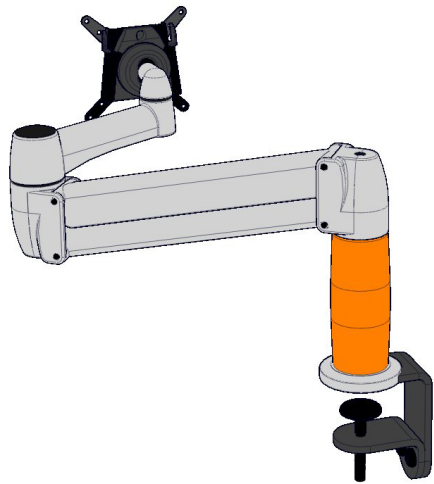




1 2 3 4 5
[XX][XX][XX]-[XX]-[XXX]

1. Arm Type

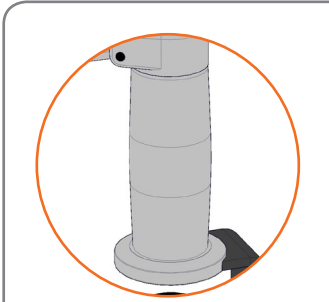
	<p>Standard Arm - [SA][XX][XX]-[XX]-[XXX]</p> <ul style="list-style-type: none"> • Horizontal arm extension mounts on to the gas lift arm. • Vertical extension up to 470mm and horizontal extension up to 520mm. 		<p>Stubby - [ST][XX][XX]-[XX]-[XXX]</p> <ul style="list-style-type: none"> • Non-gas lift mechanism. • No height adjustment (Height: 130-150mm). • Horizontal extension up to 203mm. • Suitable for most mounting options.
	<p>Sit-Stand Arm - [SS][XX][XX]-[XX]-[XXX]</p> <ul style="list-style-type: none"> • 45° arm extension mounts on to gas lift arm. • Vertical extension up to 560mm and horizontal extension up to 495mm. • Provides greater height range than SA Arm if monitor is pushed to back of workspace. 		<p>Stubby Plus - [SP][XX][XX]-[XX]-[XXX]</p> <ul style="list-style-type: none"> • Non-gas lift mechanism. • No height adjustment (Height: 200-210mm). • Extra arm gives horizontal extension up to 380mm. • Suitable for most mounting options.
			<p>XP - [SA][01XP][XX]-[XX]-[XXX]</p> <ul style="list-style-type: none"> • Extra arm gives vertical adjustment from 152mm to 508mm and horizontal extension up to 686mm. • Allows greater horizontal adjustment. • Suitable for most mounting options.



1 2 3 4 5
[XX][XX][XX]-[XX]-[XXX]

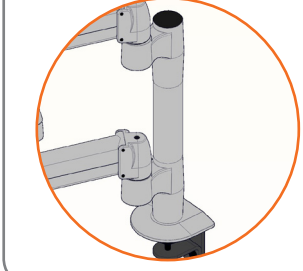
2. Arm Configuration

	<p>Double Hub - [XX][02][XX]-[XX]-[XXX]</p> <ul style="list-style-type: none"> • For 1 tier quad arm set-up. • To create 2 tier quad arm set-up, order in conjunction with 8.25" (210mm) Extension. • Part number for 2 tier quad: [XX][22][XX]-[XX]-[XXX].
	<p>Quad Hub - [XX][04][XX]-[XX]-[XXX]</p> <ul style="list-style-type: none"> • For 1 tier quad arm set-up. • To create 2 tier quad arm set-up, order in conjunction with 8.25" (210mm) Extension. • Part number for 2 tier quad: [XX][44][XX]-[XX]-[XXX].
	<p>8" Extension Hub - [XX][XX][XX]-[X8XX]-[XXX]</p> <ul style="list-style-type: none"> • Can be purchased for both 1 tier set-ups to add height, or as part of an upgrade in order to convert 1 tier into 2 tier set-ups.



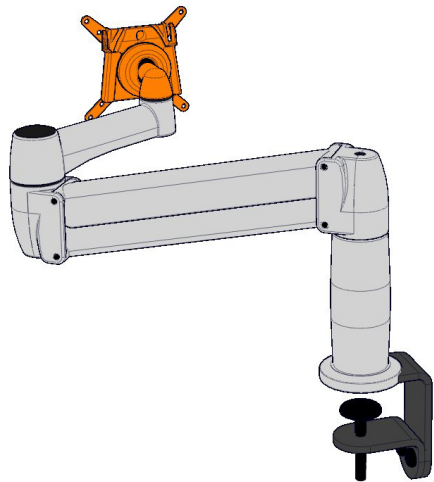
Single Hub - [XX][01][XX]-[XX]-[XXX]

- For 1 tier single arm set-up only.



2 Tier Offset Single Hub - [XX][11][XX]-[XX]-[XXX]

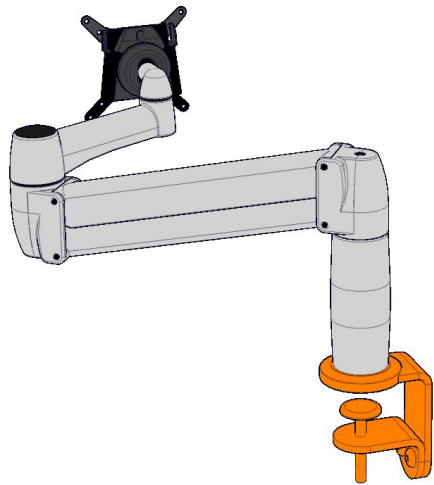
- Purchased in two tier set-up for offset single arms.
- Includes: (2x) Offset single hub
(1x) 8.25" (210mm) Extension hub.



1 2 3 4 5
[XX][XX][XX]-[XX]-[XXX]

3. Head Type

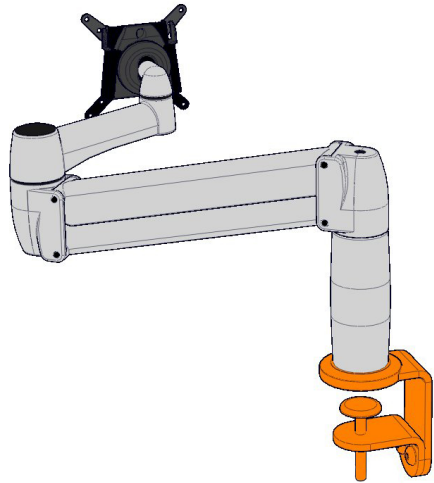
	<p>Direct Mount Head - [XX][XX][]-[XX]-[XXX]</p> <ul style="list-style-type: none"> • VESA mounting holes at both 100mm and 75mm centres. • Screws to back of monitor. • Supplied as standard (no part number). 		<p>Laptop Platform - [SA][01T]-[XXX]-[XX]-[XX]</p> <ul style="list-style-type: none"> • Features tilt adjustment lever to counteract uneven weight distribution. • 11" x 15" (280mm x 380mm) platform. • Options include: <ul style="list-style-type: none"> • No Lock [SA][01T]-[XXX]-[LP]-[NL] • With Lock [SA][01T]-[XXX]-[LP]-[LL]
	<p>Quick Change Head - [XX][XX][QC]-[XX]-[XXX]</p> <ul style="list-style-type: none"> • VESA mounting holes at both 100mm and 75mm centres. • Quick change mechanism - monitors can be changed without unscrewing. 		<p>Multi-Mounts - [SMM][00][QC]</p> <ul style="list-style-type: none"> • Options include: <ul style="list-style-type: none"> • 2 screens on single arm [SMM][12]-[QC] • 2 screens on double arm [SMM][22]-[QC] • 3 screens on double arm [SMM][23]-[QC]



1 2 3 4 5
[XX][XX][XX]-[XX]-[XXX]

4. Mount Type

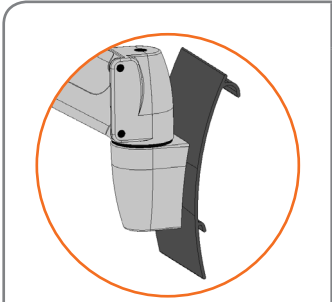
	<p>Standard C-Clamp - [XX][XX][XX]-[CC]-[XXX]</p> <ul style="list-style-type: none"> • Suitable for desk thickness 0 - 48mm. • Clamps to edge of worksurface. • Retrofittable. 		<p>SPCA - [XX][XX][XX]-[SPCA]-[XXX]</p> <ul style="list-style-type: none"> • Suitable for desk thickness 0 - 28mm. • Clamps to edge of worksurface. • Under desk, low profile clamping system.
	<p>Large C-Clamp - [XX][XX][XX]-[CL]-[XXX]</p> <ul style="list-style-type: none"> • Suitable for desk thickness 0 - 92mm (lower bracket can be reversed to accommodate thicker desktops). • Clamps to edge of worksurface. • Larger spreader for increased stability. • Retrofittable. 		<p>Grommet Mount - [XX][XX][XX]-[GT]-[XXX]</p> <ul style="list-style-type: none"> • Suitable for desk thickness 0 - 50mm. • Mounts through worksurface. • Features hole for cable management.
			<p>Above Desk Clamp - [XX][XX][XX]-[AC]-[XXX]</p> <ul style="list-style-type: none"> • Suitable for desk thickness 0 - 40mm. • Clamps to edge of worksurface. • Suitable for sliding desktops. • Retrofittable.



1 2 3 4 5
[XX][XX][XX]-[XX]-[XXX]

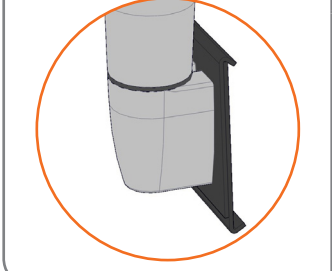
4. Mount Type

	<p>Multi-Flex - [HB00MFCC]-[XX] & [HB01MF]-[XXX]</p> <ul style="list-style-type: none"> • Suitable for desk thickness - 0 - 51mm. • Multiple mounting hubs can be added. • Supplied at bespoke lengths.
	<p>Bolt Through Mount - [XX][XX][XX]-[BT]-[XXX]</p> <ul style="list-style-type: none"> • Suitable for desk thickness 20 - 40mm. • Mounts through worksurface. • Very high stability.
	<p>Wall Mount - [XX][XX][XX]-[VM]-[WM]-[XXX]</p> <ul style="list-style-type: none"> • Versatile wall mounting plate for multiple uses when desk area is limited.



SpaceBeam I Mount - [XX][XX][XX]-[BM]-[XXX]

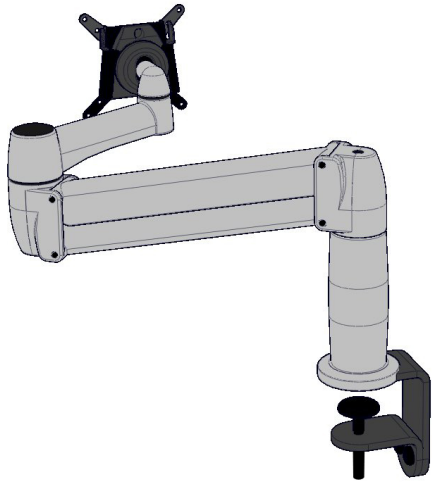
- Clamps to SpaceBeam I Organisational Tool.
- Quick and easy to mount and simple to reposition monitor arm.



SpaceBeam II Mount - [XX][XX][XX] [VM]-[ADJL4]-[XXX]

- Clamps to SpaceBeam II Organisational Tool.
- Screw fixed clamping system for greater stability.



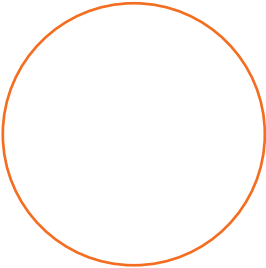
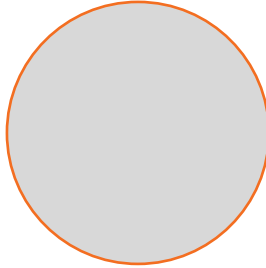
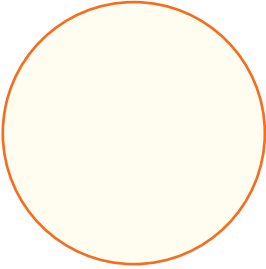
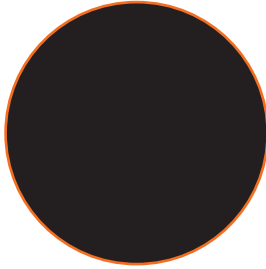


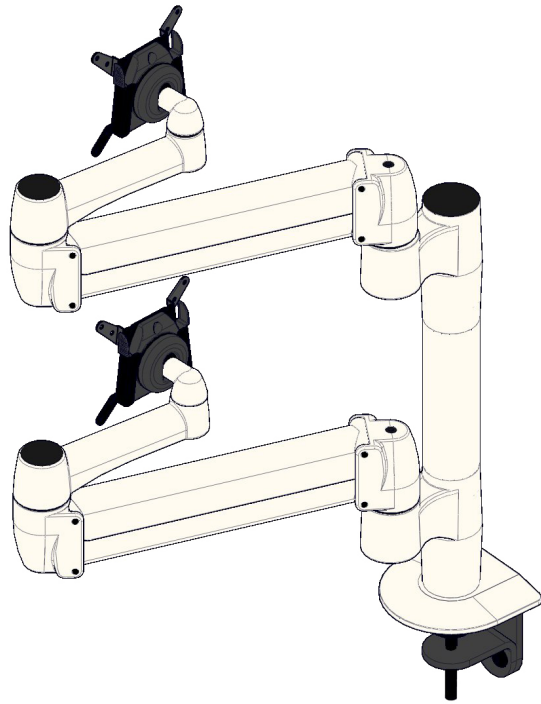
1 2 3 4 5
[XX][XX][XX]-[XX]-[XXX]

5. Standard Colour Options

Colour Customisation

These are our standard colour options. Most of our monitor arms can be customised to your colour requirement. Please speak to your Adapt representative for further information. Minimum order quantity applies.

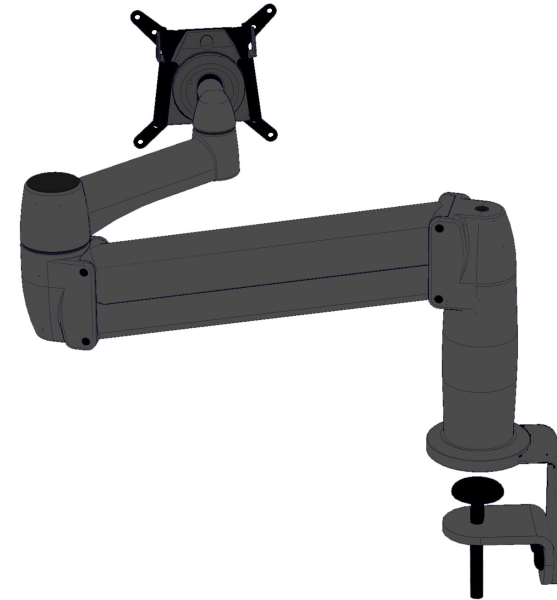
	<p>White - [XX][XX][XX]-[XX]-[WHT]</p> <ul style="list-style-type: none"> • RAL 9003 		<p>Platinum - [XX][XX][XX]-[XX]-[PLT]</p> <ul style="list-style-type: none"> • RAL 9006
	<p>Soft White - [XX][XX][XX]-[XX]-[VWH]</p> <ul style="list-style-type: none"> • RAL 9010 		<p>Black - [XX][XX][XX]-[XX]-[BLK]</p> <ul style="list-style-type: none"> • RAL 9005



Part Number Example:

1 2 3 4 5
[SA][11][QC]-[CL]-[VWH]

- 1. Standard Arm
- 2. Two Tier Offset Single Arm
- 3. Quick Change Head
- 4. Large C-Clamp Mount
- 5. Soft White

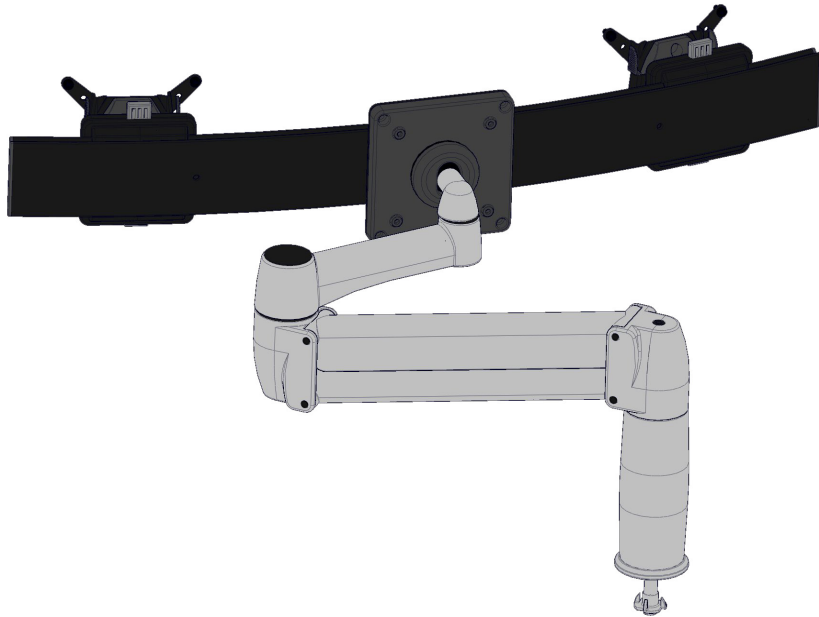


Part Number Example:

1 2 3 4 5
[SA][01][QC]-[CC]-[BLK]

- 1. Standard Arm
- 2. Single Arm
- 3. Quick Change Head
- 4. C-Clamp Mount
- 5. Black

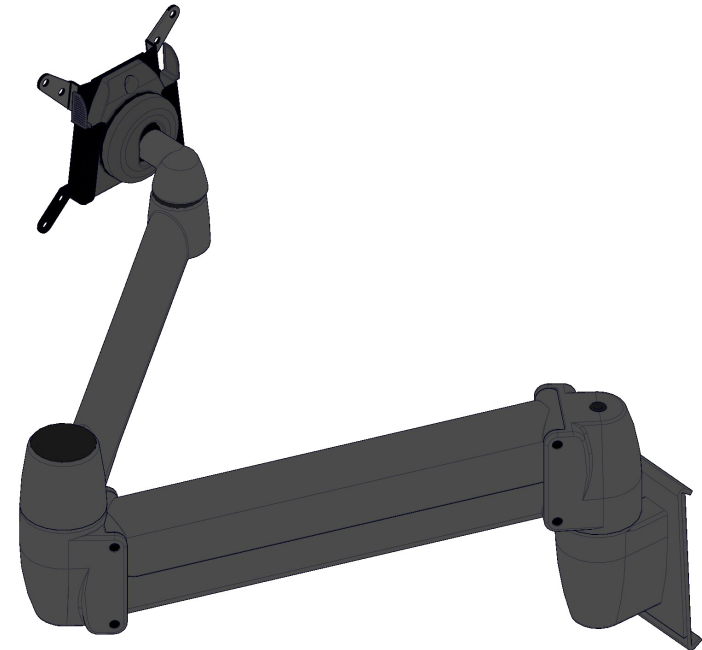




Part Number Example:

1 2 3 4 5
[SA][01][NK]-[BT]-[PLT] & [SMM12QC]

1. Standard Arm 2. Single Arm 3. Direct Mount 4. Bolt Through 5. Platinum



Part Number Example:

1 2 3 4 5
[SS][01][QC]-[VM-ADJL4]-[BLK]

1. Sit-Stand Arm 2. Single Arm 3. Quick Change Head 4. SpaceBeam II Mount 5. Black

