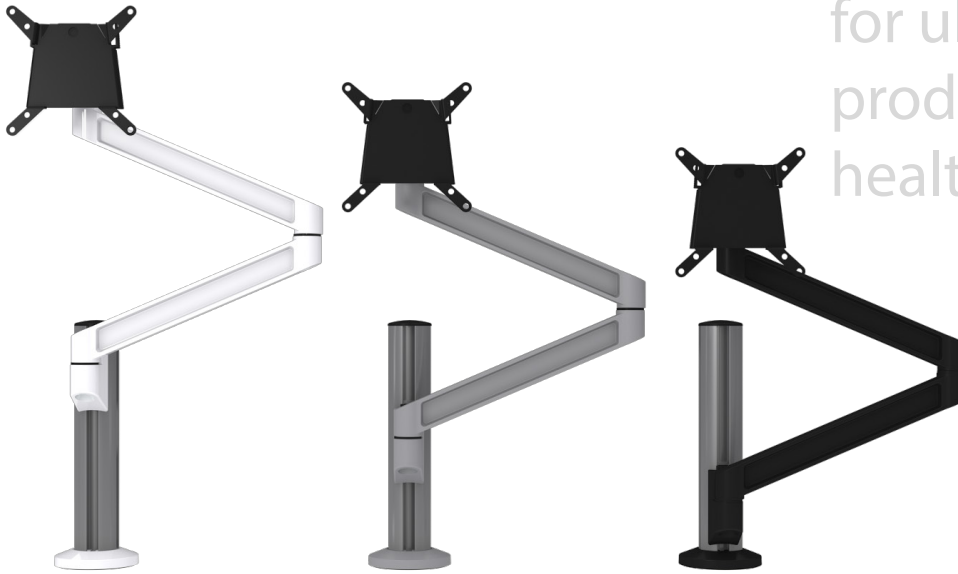


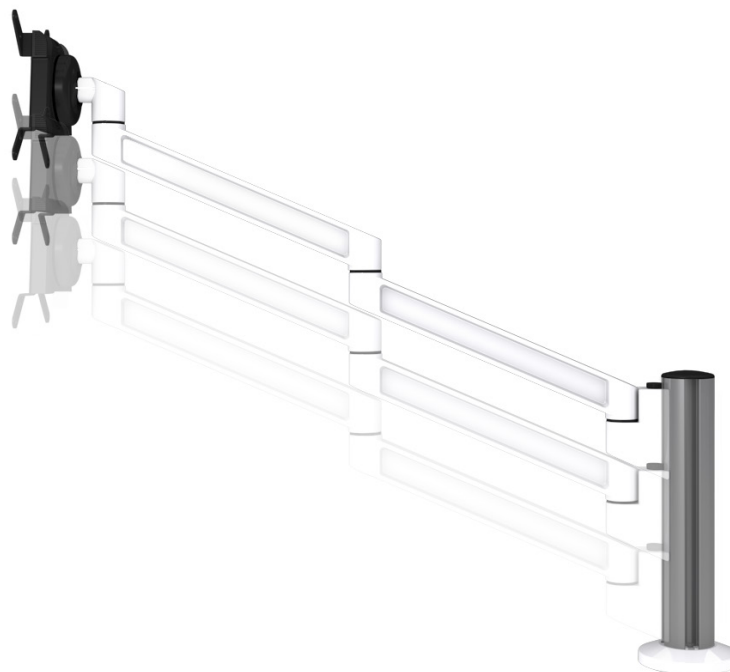


PoleArm

Adjust your monitor for ultimate comfort, productivity and health.



Introducing a monitor arm with a wide range of adjustments for creating a comfortable ergonomic position, whether you're sitting or standing.



How can correctly adjusted monitors promote productivity?

With the use of the Adapt PoleArm, you have the freedom to manoeuvre your monitors to the best position for you, whether you are sitting or standing at your desk.

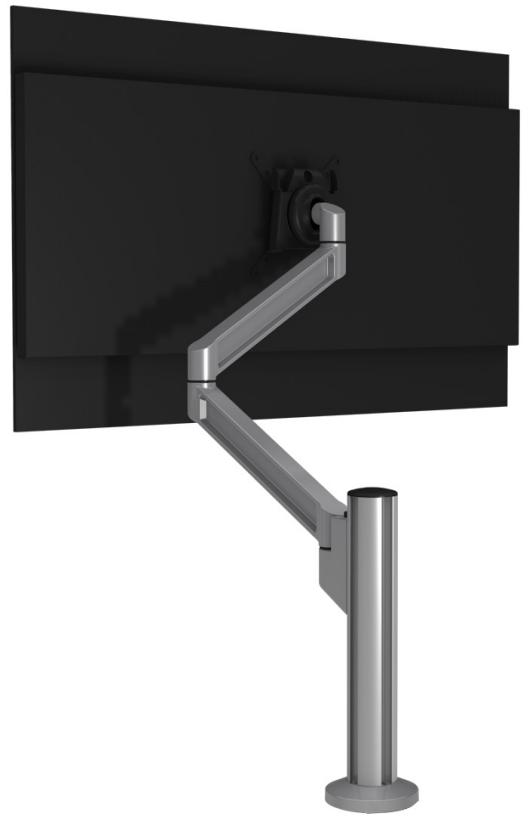
Correctly positioned monitors promote well-being and productivity by improving back and neck posture and reducing eye strain.

Key features:

- Fully adjustable, ideal for 'hot desking' and agile working environments with multiple users.
- C-clamp and 'Bolt through' desk clamps available
- Saves valuable desk space
- Quick change mounts
- Anti-theft feature

Key benefits:

- Enhances productivity and efficiency
- Improves back and neck posture
- Reduces eye strain
- Freedom to manoeuvre monitor to your ergonomic requirement



Bolt Through



C-Clamp



Quick Change



Height Adjustment

Choose from these colour options:



Platinum



White



Black



Environmental design

At Adapt we carefully consider environmental factors in every stage of our product cycle. This includes selecting environmentally friendly materials during design, manufacturing, packaging and shipping.



Adapt aftercare

Research shows that to achieve the full benefits from ergonomic products, employees should be trained to use them properly. As part of our service, training is available to ensure you make the most of your furniture and accessories.



Superior products

Every Adapt product is made from the highest quality materials and goes through rigorous testing before it becomes available on the market. That's why all Adapt manufactured products come with a lifetime guarantee, giving you peace of mind.



Adapt UK Ltd
Unit 11 Stratus Park
Brudenell Drive, Brinklow
Milton Keynes, MK10 0DE

+44 (0) 1327 855 833

infouk@adaptingonomics.com

www.adaptingonomics.com