

Adapt Asia Ltd.

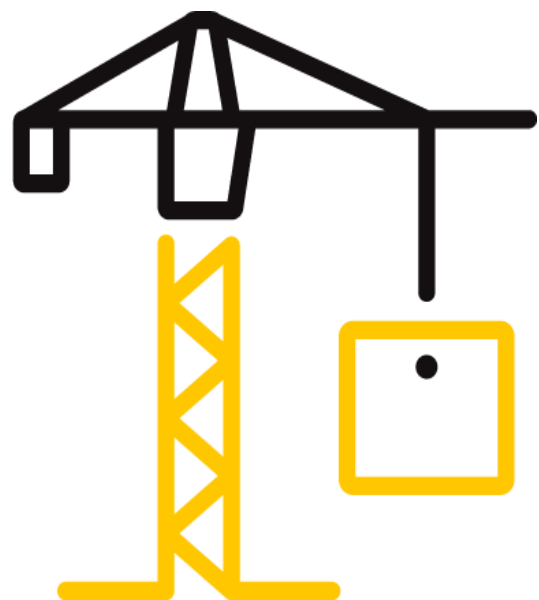
TEST REPORT

REPORT NUMBER
190306009SHF-003

ISSUE DATE
2019/4/18

PAGES
9

DOCUMENT CONTROL NUMBER
LFT-APAC-SHF-OP-10k
© 2018 INTERTEK



Test Report

Issue Date: 2019/4/18 Intertek Report No. 190306009SHF-003

Applicant: Adapt Asia Ltd.

Applicant Address: 19/F Hollywood Centre, 233 Hollywood Road, Sheung Wan, Hong Kong

Attn: Mr Ye

SUBJECT: Performance testing
MgO Floor Tile LPC

Dear Sir,

This test report represents the results of our evaluation of the above referenced product(s) to the requirements contained in the following standards:

TEST METHODS AND STANDARDS
Refer to the next following Pages.

SAMPLE ID	MODEL	SPECIFICATION
S190306009SHF.003	MgO Floor Tile LPC: 12846	607.2x607.2x19.05
	Webbing: LPC and LPC+	/

SAMPLE RECEIVED: 2019/3/6
TESTED FROM: 2019/3/6 TO 2019/4/10

This report is for the exclusive use of Intertek's Client and is provided pursuant to the agreement between Intertek and its Client. Intertek's responsibility and liability are limited to the terms and conditions of the agreement. Intertek assumes no liability to any party, other than to the Client in accordance with the agreement, for any loss, expense or damage occasioned by the use of this report. Only the Client is authorized to permit copying or distribution of this report and then only in its entirety. Any use of the Intertek name or one of its marks for the sale or advertisement of the tested material, product or service must first be approved in writing by Intertek. The observations and test results in this report are relevant only to the sample tested. This report by itself does not imply that the material, product, or service is or has ever been under an Intertek certification program.

Test Report

Issue Date: 2019/4/18

Intertek Report No. 190306009SHF-003

Test Items, Method and Results:

1. Permanent deformation after loading

1.1 Requirement

After the application for 30 min of a test load equivalent of the working load at the weakest point of the element, the residual deflection 5 min after the removal of the load shall not exceed 0.5 mm when testing according to EN 12825:2001(E), Section 5.4

Procedure

The test was carried out using the actual panel system. The indenter was placed at the weakest point of the element. The working load was applied by a 25 mm cube for 5 minutes, the load was then removed and the deflection sensor zeroed. A steadily increasing load was applied at a constant speed until the load equals the specified working load. The load was maintained for 30 minutes and then removed. the deflection on the underside of the panel under the applied load was recorded 5 minutes after the removal of the load.

Result

Position	Permanent Deformation (mm)
At the quarter of the edge	0.37

Note

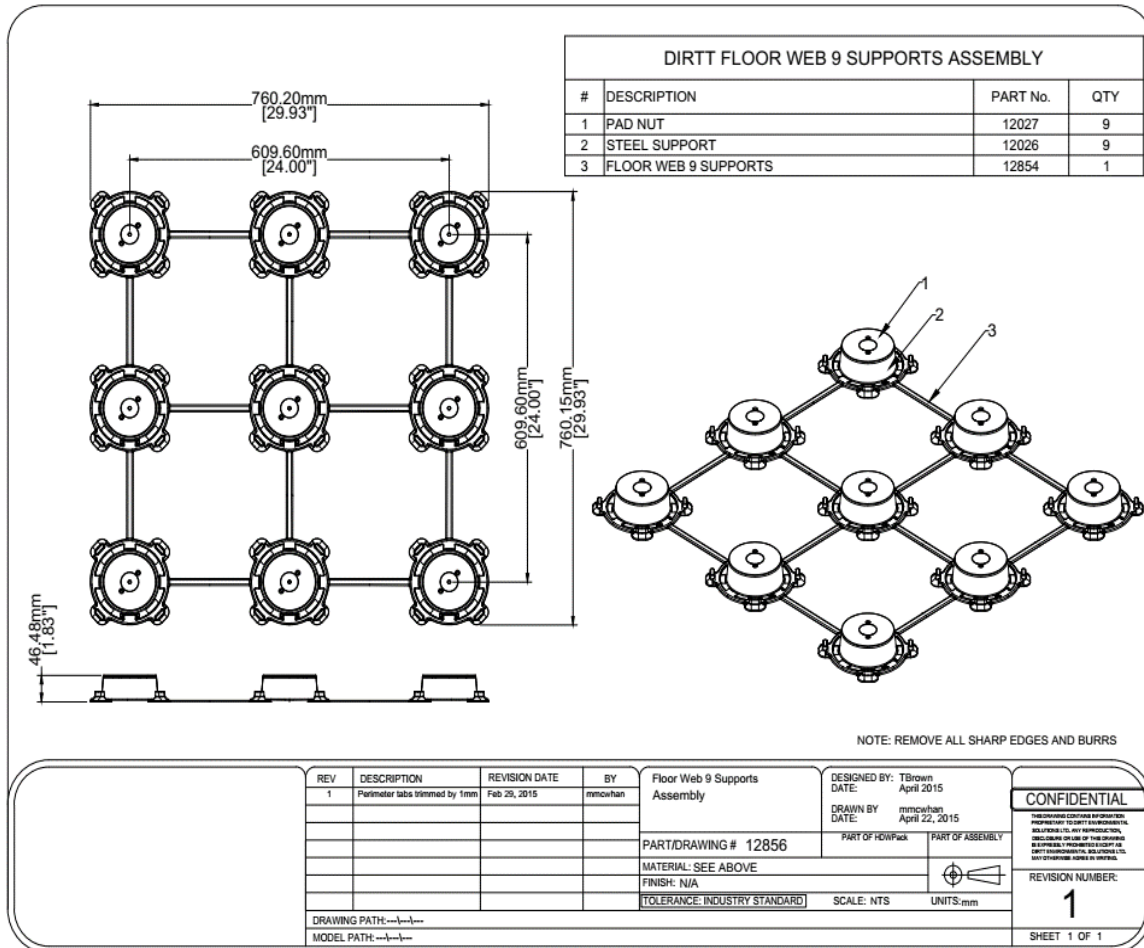
1. Ultimate Load = 3250 N
2. Safety factor was 2.0 offered by client.
3. Working Load = Ultimate Load / Safety factor = 3250 N / 2.0 =1625 N

Test Report

Issue Date: 2019/4/18

Intertek Report No. 190306009SHF-003

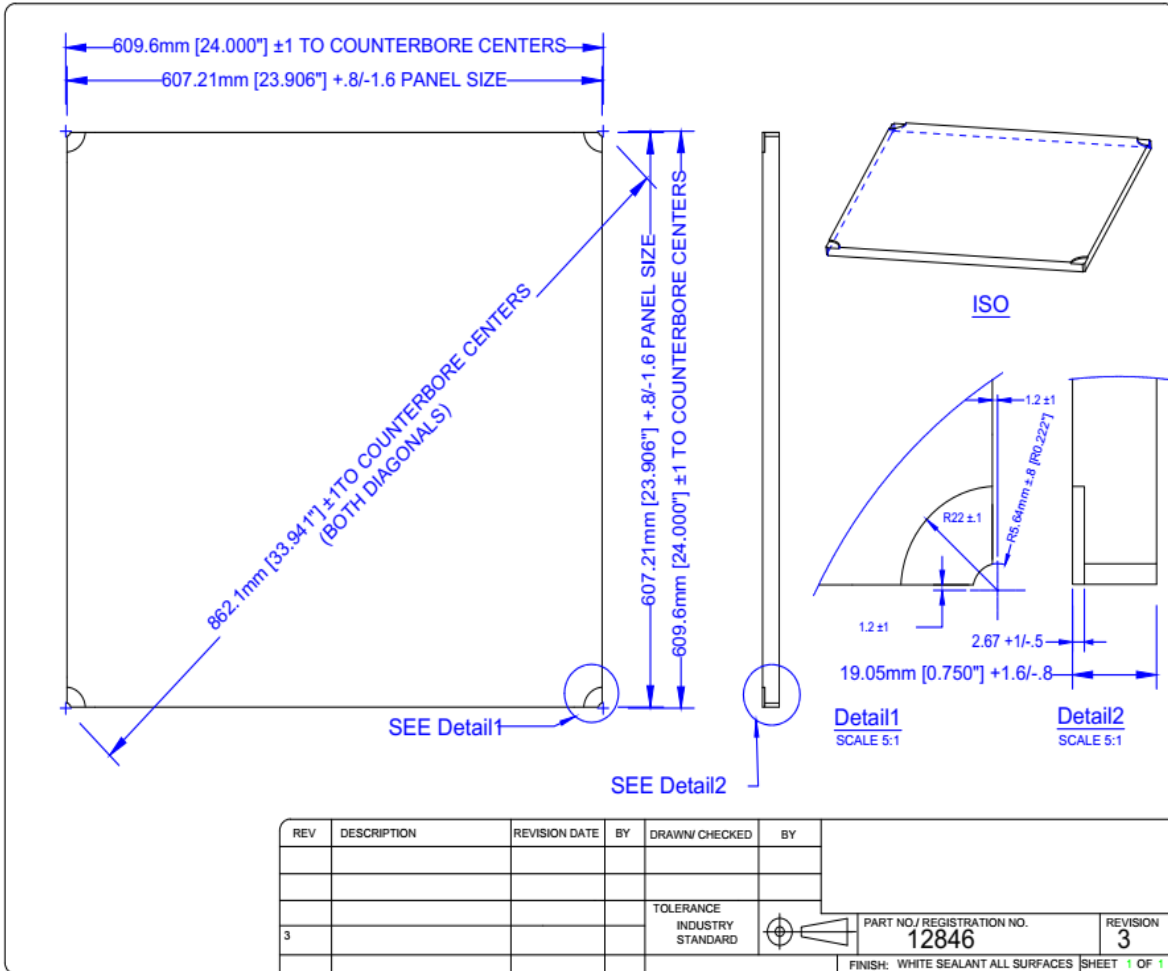
APPENDIX A: Drawing



Test Report

Issue Date: 2019/4/18

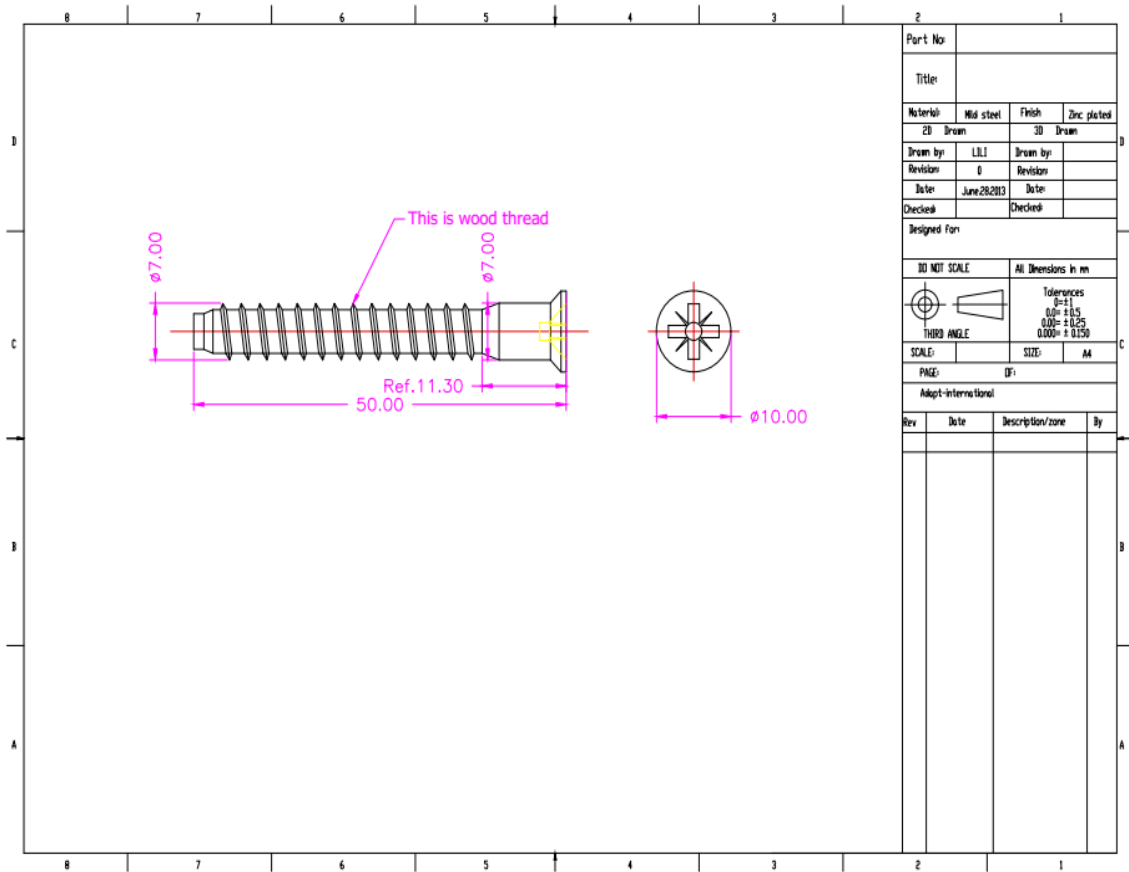
Intertek Report No. 190306009SHF-003



Test Report

Issue Date: 2019/4/18

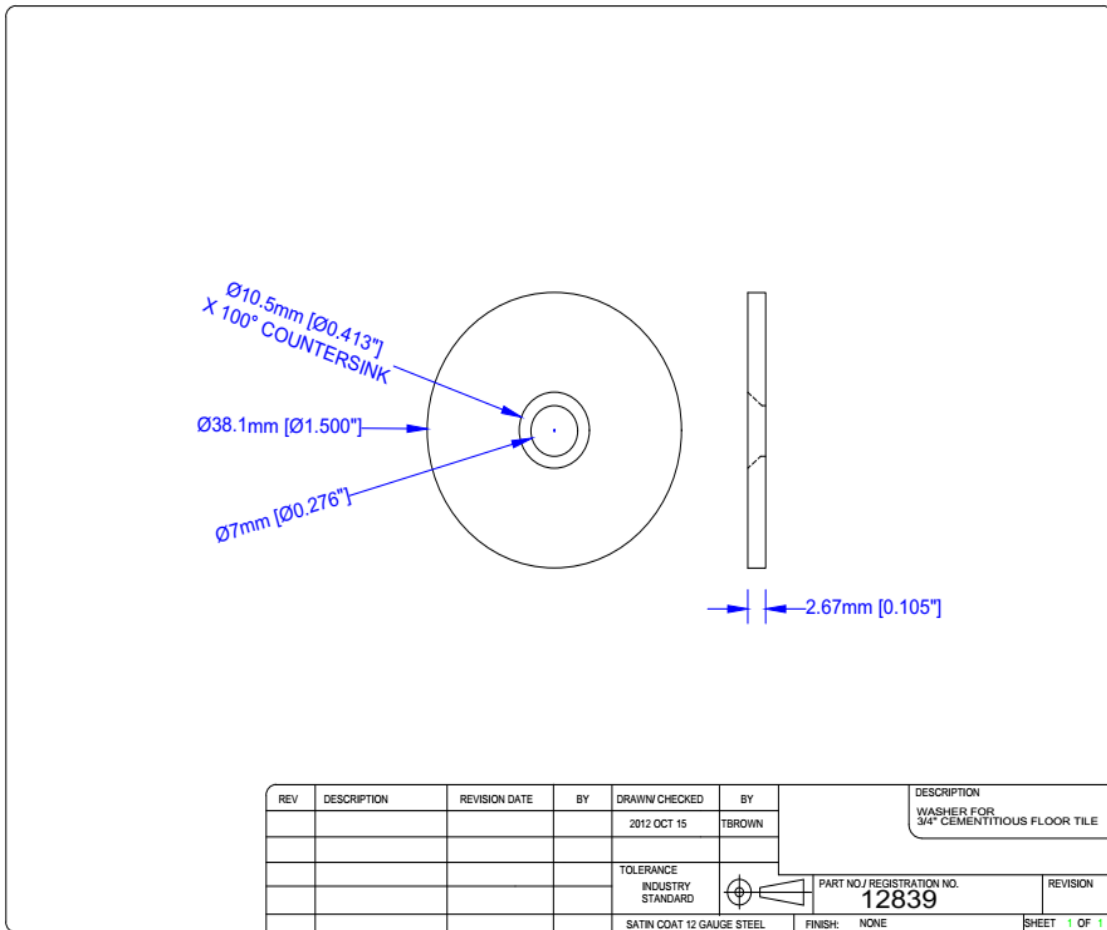
Intertek Report No. 190306009SHF-003



Test Report

Issue Date: 2019/4/18

Intertek Report No. 190306009SHF-003

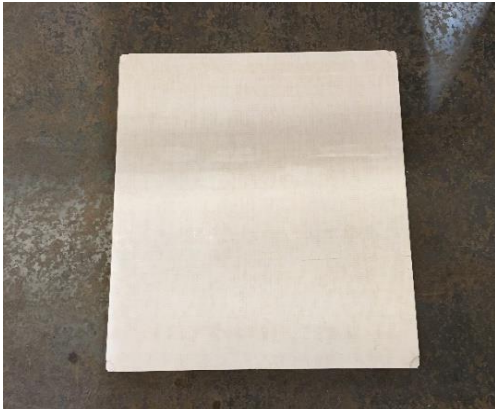


Test Report

Issue Date: 2019/4/18

Intertek Report No. 190306009SHF-003

APPENDIX B: SAMPLE RECEIVED PHOTO



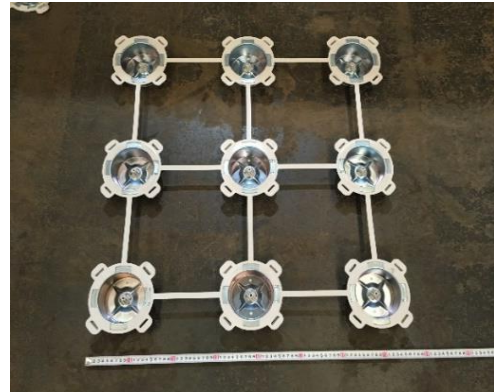
MGO Floor Tile LPC (Front view)



MGO Floor Tile LPC (Back view)



Webbing (Front view)



Webbing (Back view)



washer and screw

Test Report

Issue Date: 2019/4/18

Intertek Report No. 190306009SHF-003

APPENDIX: SAMPLE RECEIVED PHOTO



REPORT AUTHORIZED

When signed with physical or electronic signature, the contents of this report have been prepared and approved per Intertek's quality process in accordance with ISO 17025.

Torres Qi  *Kyle Wang*

Name: Torres Qi Name: Kyle Wang
Title: Reviewer Title: Project Engineer

Revision:

NO.	DATE	CHANGES	AUTHOR	REVIEWER
190306009SHF-003	2019/4/18	First issue	Kyle Wang	Torres Qi