

# Kinisi Pods

## Semi-private workspaces for open plan offices

In today's mobile world, the way we work is constantly evolving. Many people now divide their time between the office and remote working environments. This has led to a rise in shared workspaces that must meet the needs of the people who use them.

Kinisi Pods are designed for the modern workplace, offering personal spaces where workers can concentrate, focus and work in comfort. Acoustic panels offer protection against background noise and visual distractions in an open plan environment.

With a height adjustable worksurface, Kinisi Pods can be adapted for individual users. This is especially useful in environments where desk sharing between colleagues and visitors is the norm. Kinisi Pods have a modular and flexible design, offering a contemporary twist on the traditional office cubicle.





# Why choose Kinisi Pods?

## Increase productivity

Acoustic panels reduce background noise and visual distractions, so workers stay focused and productive.

## Customisable

Available in six standard configurations, with options to customise to bespoke shapes. Choose the colours, finishes, trims, materials and configurations that work for your space.

## Ergonomic

All Kinisi Pods come with sit-stand functionality. A range of ergonomic accessories are also available, such as monitor arms, toolrails, wireless chargers, storage etc.

## Flexibility

Unique modular design offers scalability and flexibility to meet business requirements.

## Infection control

Reduce the spread of germs in the workplace:

- Create safe distances between employees
- Panels can be covered with antimicrobial fabric
- Worktops are available with sealed edges for easy cleaning
- Sneeze guards can be added to the worktop, for protection when standing
- Panels can be topped with clear screens, for added protection



Future-proof designs



Customised solutions



Customer support



Product continuity



Lifetime guarantee



Sustainable solutions



# Kinisi Pod features



## Acoustic panels

Offer protection against background noise and visual distractions. They also help create barriers against the spread of germs.



## Memory function

Record up to three height settings. This is useful for environments where desks are shared.



## Modular design

Add and reconfigure workstations cost-effectively as needs evolve.



## Power and cable management

Reduce the risk of tripping over loose wires. Built in sockets allow easy distribution of power and data.



## A leg system built to last

Our unique, height adjustable leg system offers the following benefits:

- Legs are mounted to the panels to create a clean floor area and more space under the desk
- Engineering excellence produces a smooth and quiet motion
- Curved forms and tight tolerances help achieve strength and stability

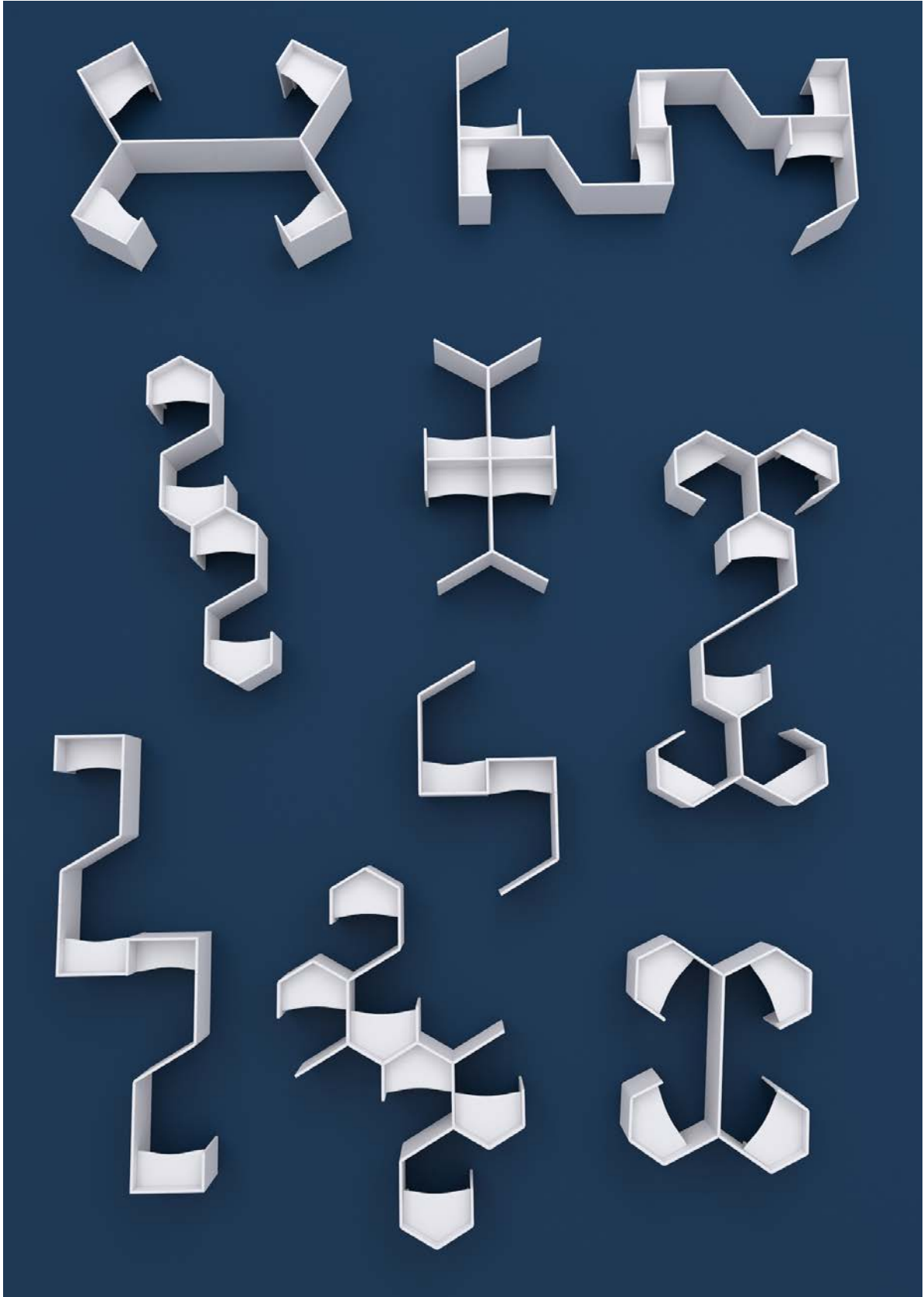


## Ergonomic extras

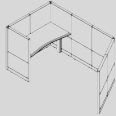
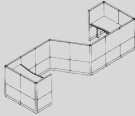
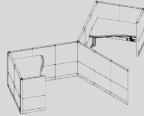
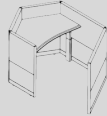
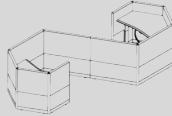
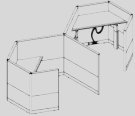
Kinisi Pods are compatible with a range of ergonomic accessories to enhance your work experience, including:

- Monitor arms
- Tool rails
- Lighting
- Power
- Storage

# Modular designs that can be customised for any space



# Technical information

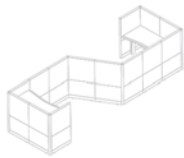
						
	KPOD-001	KPOD-002	KPOD-003	KPOD-004	KPOD-005	KPOD-006
Overall Dimensions	2915 x 1520mm	5080 x 1740mm	5260 x 3240mm	2350 x 1505mm	4662 x 2220mm	3700 x 1910mm
Worktop Dimensions	1390 x 690mm	1390 x 690mm	1390 x 1000mm	1375 x 1000mm	1375 x 1000mm	1470 x 590mm

## Specifications (all models)

Panel Height	1270mm
Worktop Material	MFC/Chipboard Laminate
Standard Worktop Colours	White, Grey, Light Oak. Bespoke options are also available.
Worktop Height Range	640 - 1250mm
Standard Frame Colours	Black, Platinum, White. Bespoke options are also available.
Optional Accessories	Monitor arms, acrylic/glass screens, wireless chargers, lockable storage, LED lighting, coat pegs, toolrails, CPU holders and more.



KPOD-001



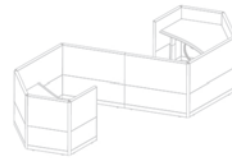
KPOD-002



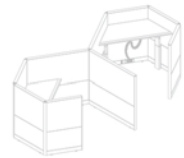
KPOD-003



KPOD-004

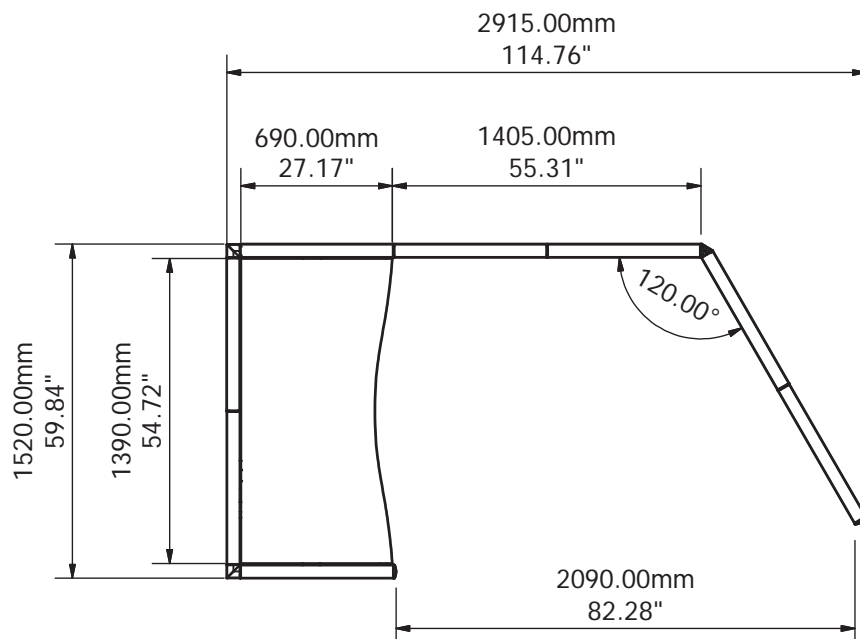
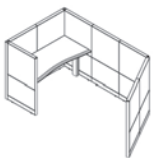


KPOD-005



KPOD-006

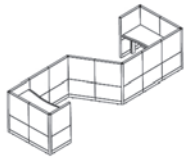
## KPOD-001



# Technical information



KPOD-001



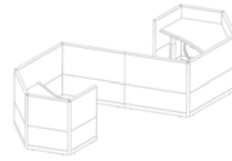
KPOD-002



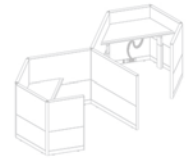
KPOD-003



KPOD-004

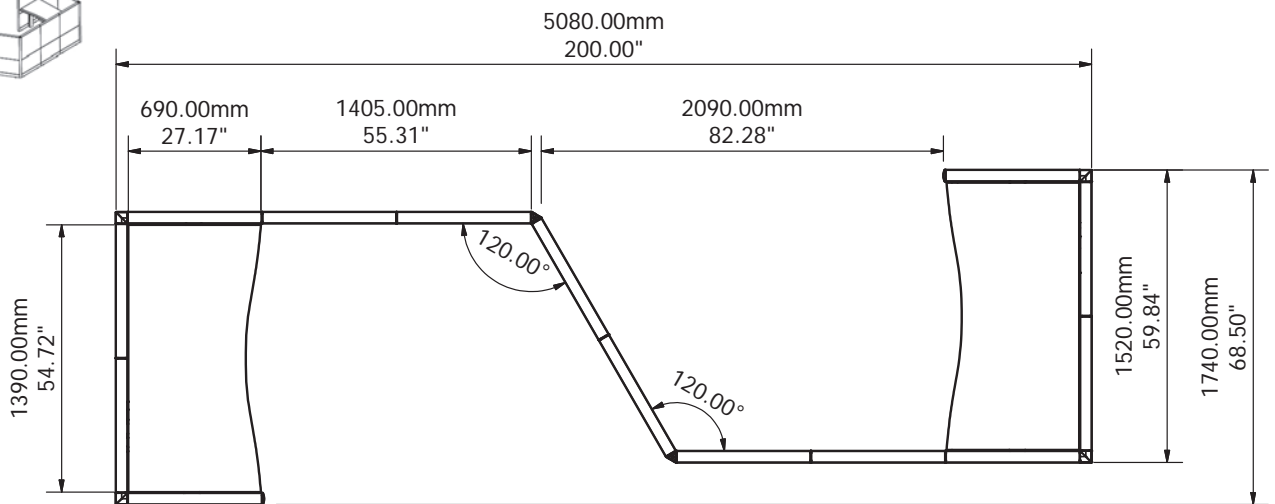
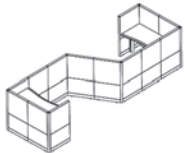


KPOD-005

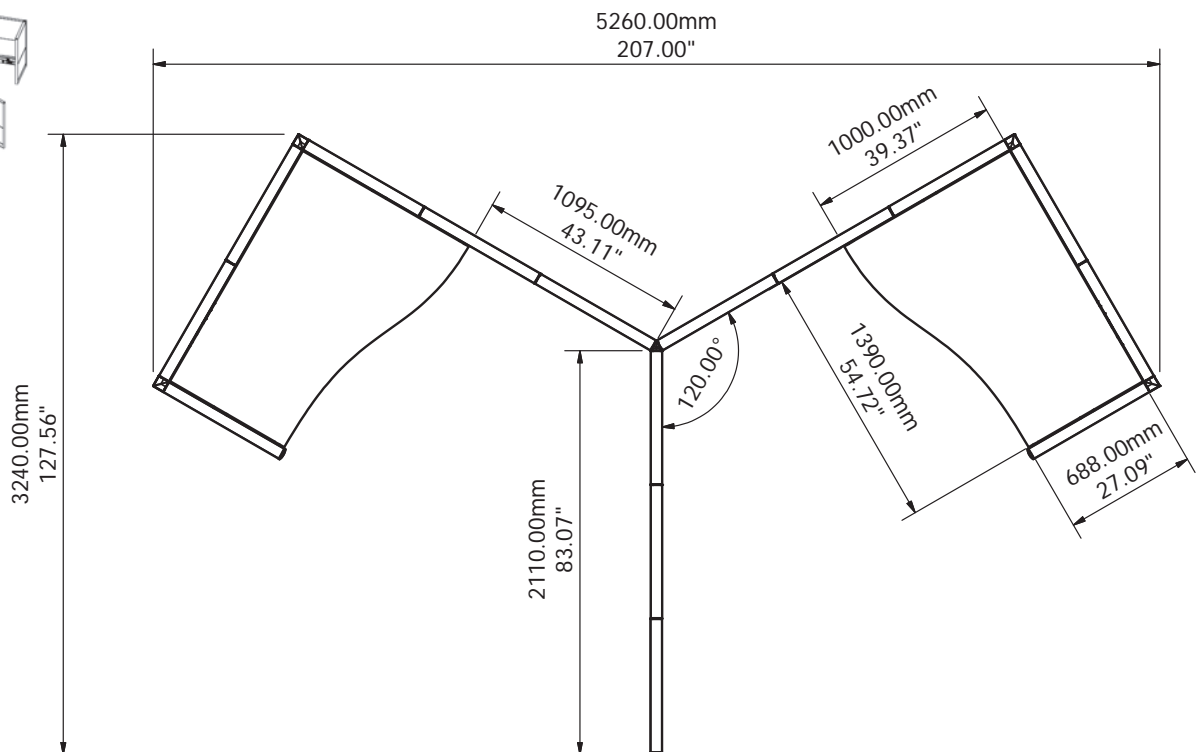


KPOD-006

## KPOD-002



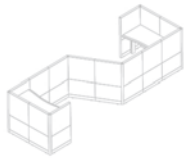
## KPOD-003



# Technical information



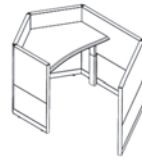
KPOD-001



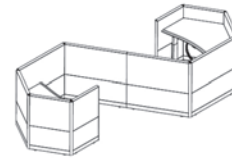
KPOD-002



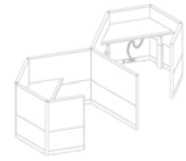
KPOD-003



KPOD-004

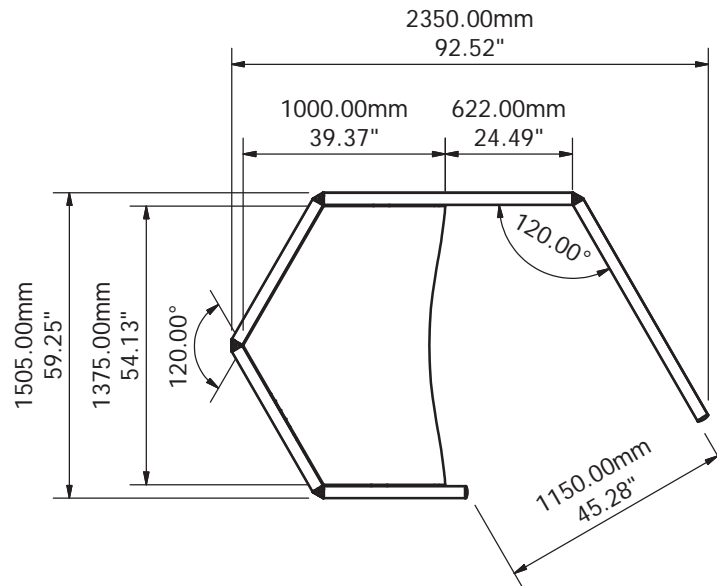
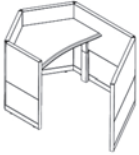


KPOD-005

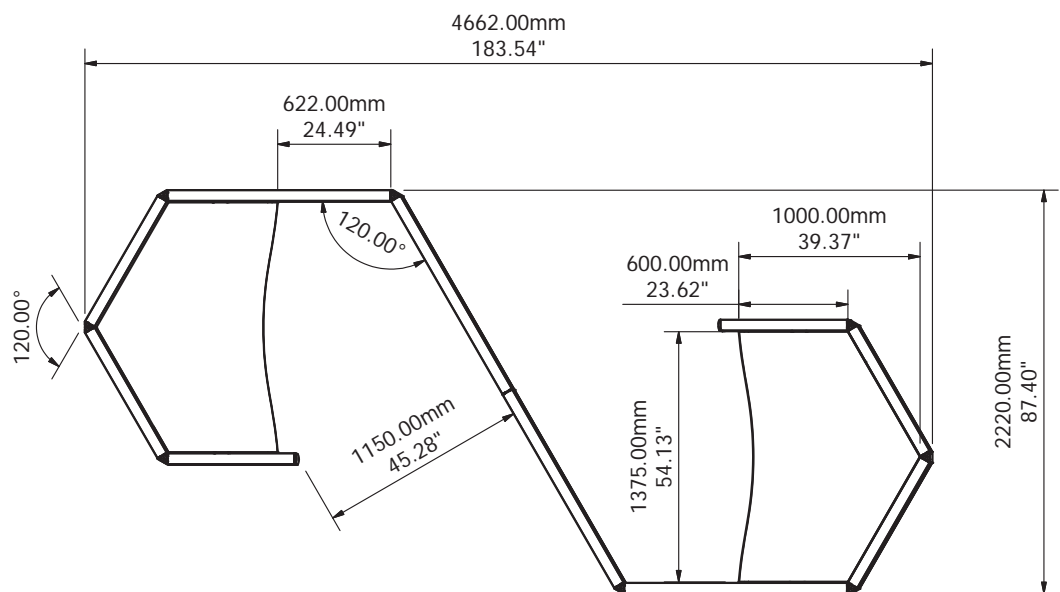
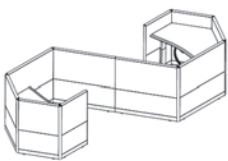


KPOD-006

## KPOD-004



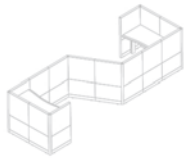
## KPOD-005



# Technical information



KPOD-001



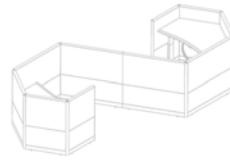
KPOD-002



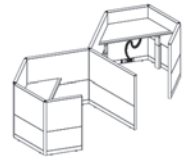
KPOD-003



KPOD-004

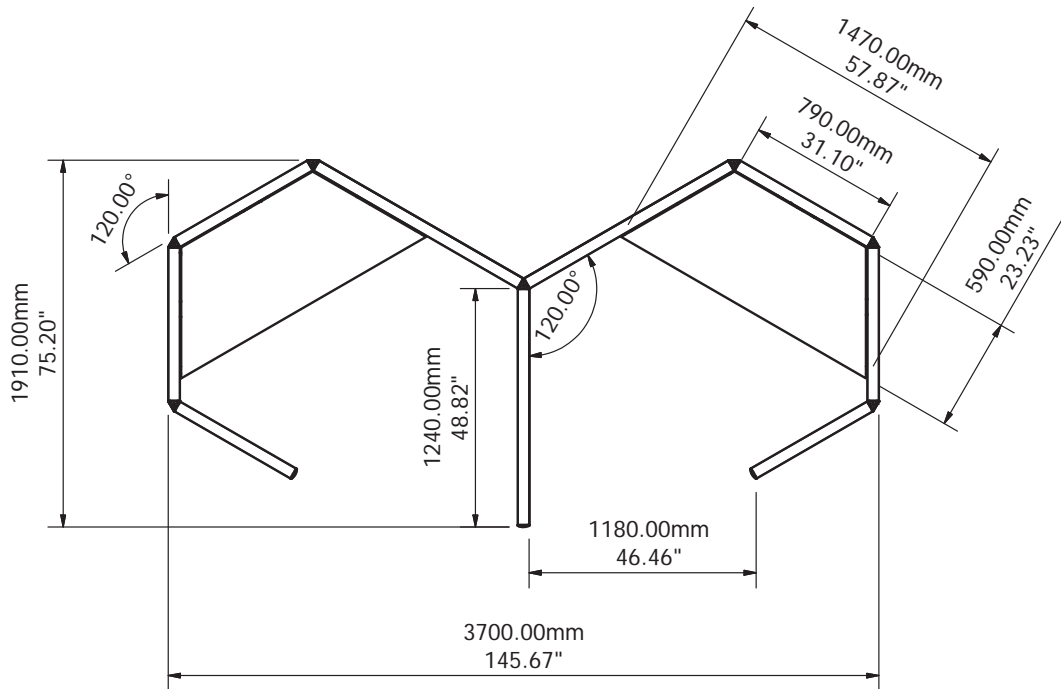
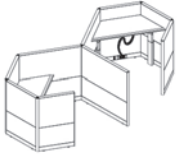


KPOD-005



KPOD-006

## KPOD-006







Create workspaces that work.



Solutions to build modern commercial spaces more quickly and efficiently.



Unlock workspace potential.



Ergonomic consultancy and software to improve employee health and productivity.

[www.adapt-global.com](http://www.adapt-global.com)

