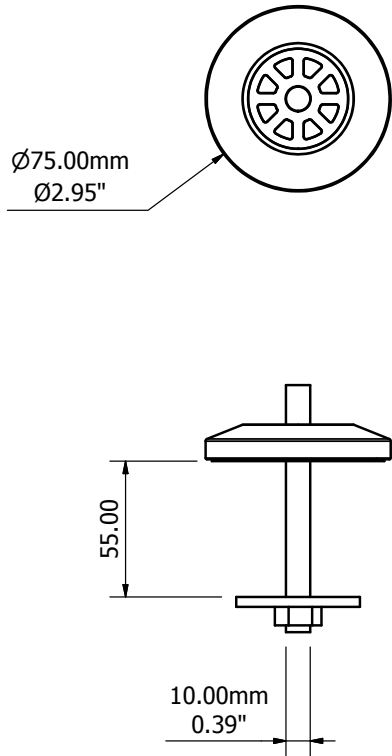


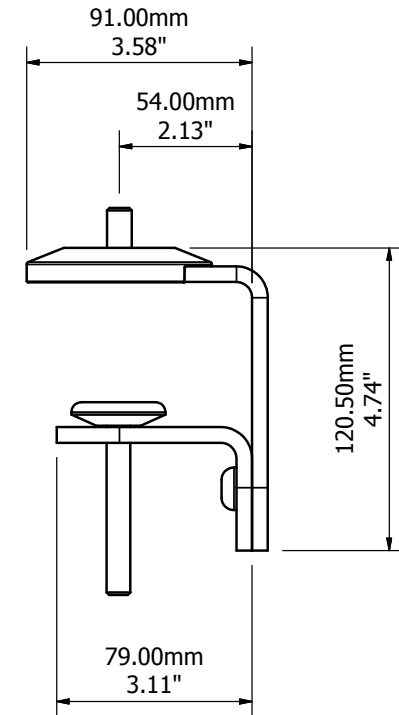
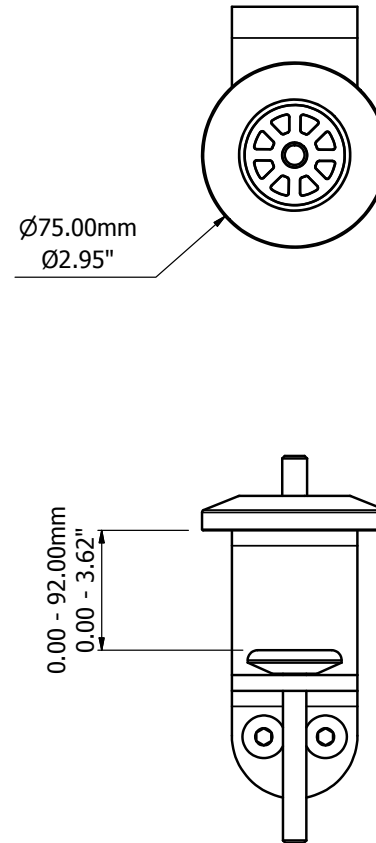
Adjustment	Button
Monitor Weight	Accommodates most monitor weights and sizes
Mounting	75mm and 100mm VESA Mounting Centres, 'Quick Change' and 'Direct Mount'.
Construction	Aluminium die casting, steel and nylon
Finish & Colour	Powder coated, Platinum, Black, White or Soft White. Silver Anodised Centre Post
Fixings	Included for mounting and monitor
Packaging	Product dependent

These drawings are based on the direct mounting option. For other mounting options please contact your local representative.

Bolt Through - BT



C-Clamp - CC



### Asia

#### China

infocn@adapt-global.com

#### Hong Kong

infohk@adapt-global.com

#### Philippines

infohk@adapt-global.com

### Europe

#### France

infofr@adapt-global.com

#### Germany

infode@adapt-global.com

#### United Kingdom

infouk@adapt-global.com

### North America

#### Canada

infocdn@adapt-global.com

#### Mexico

infomx@adapt-global.com

#### USA

infousa@adapt-global.com